

SIRUBA®

銀箭牌工業用縫紉機

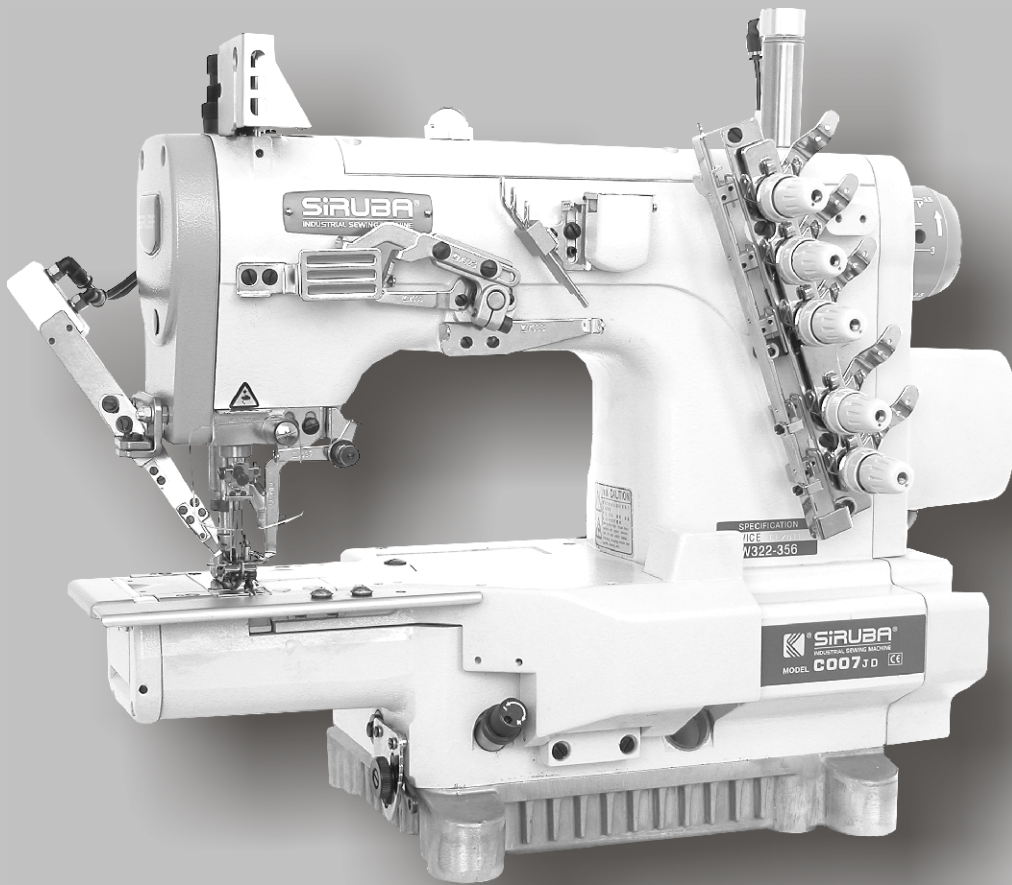
INDUSTRIAL SEWING MACHINE

C007J/C007JD

C858J/C858JD

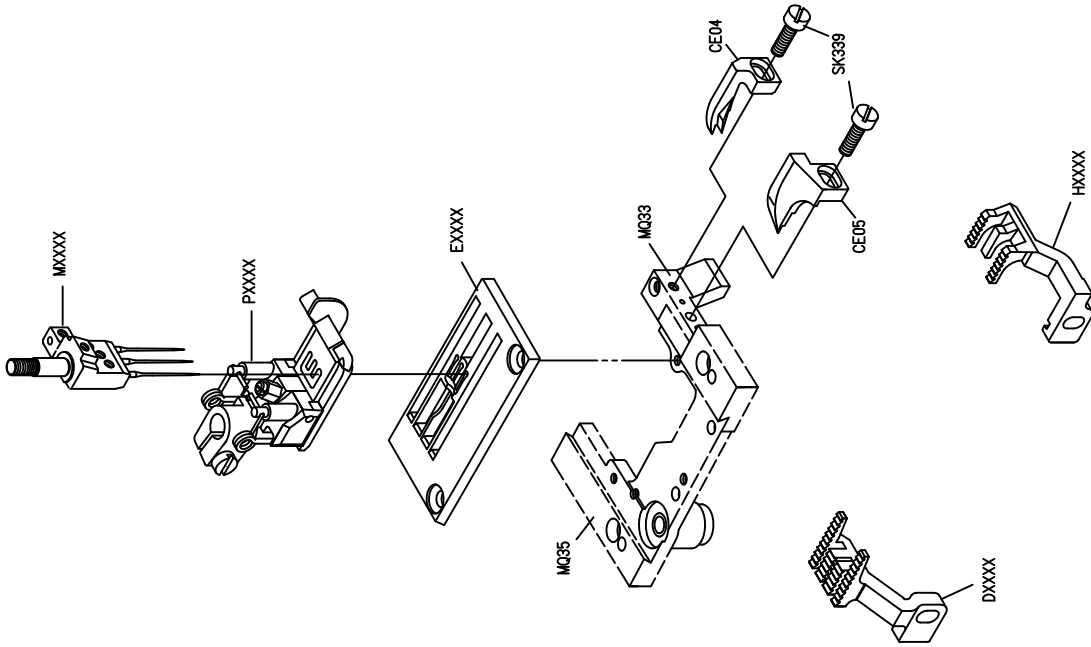
ATTACHMENT

零件圖 PARTS LIST



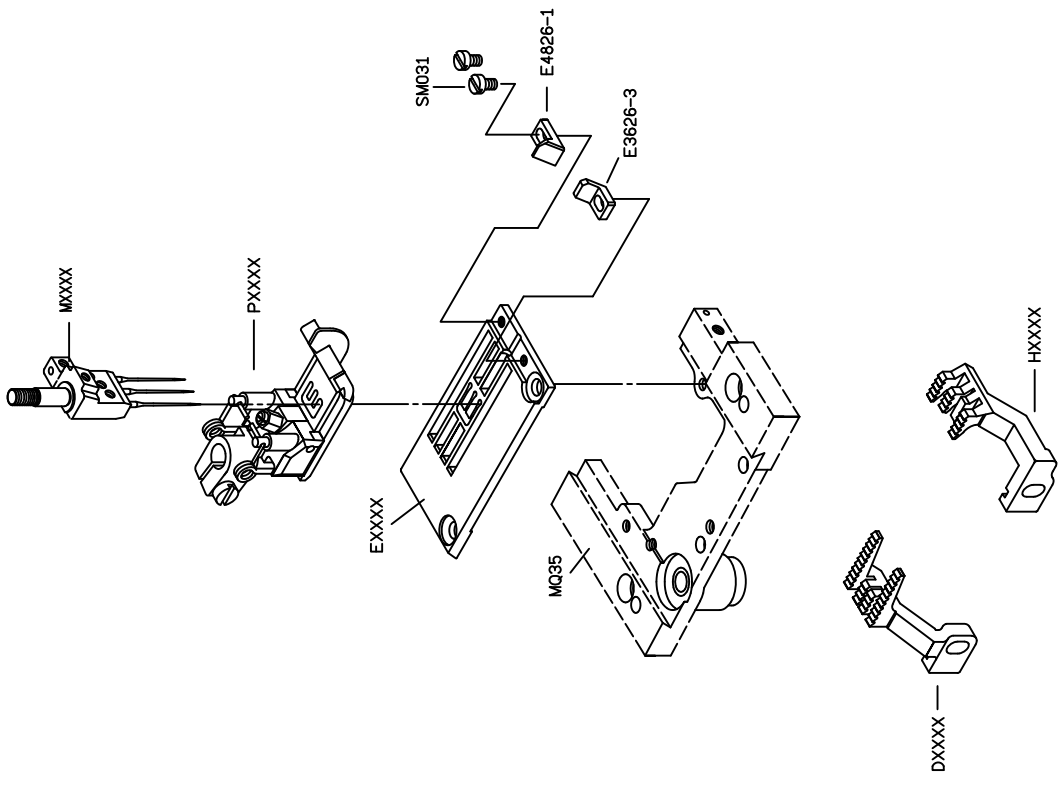
CE

 高林股份有限公司
KAULIN MFG. CO., LTD.



FOR C007J/C007JD/C856J/C856JD

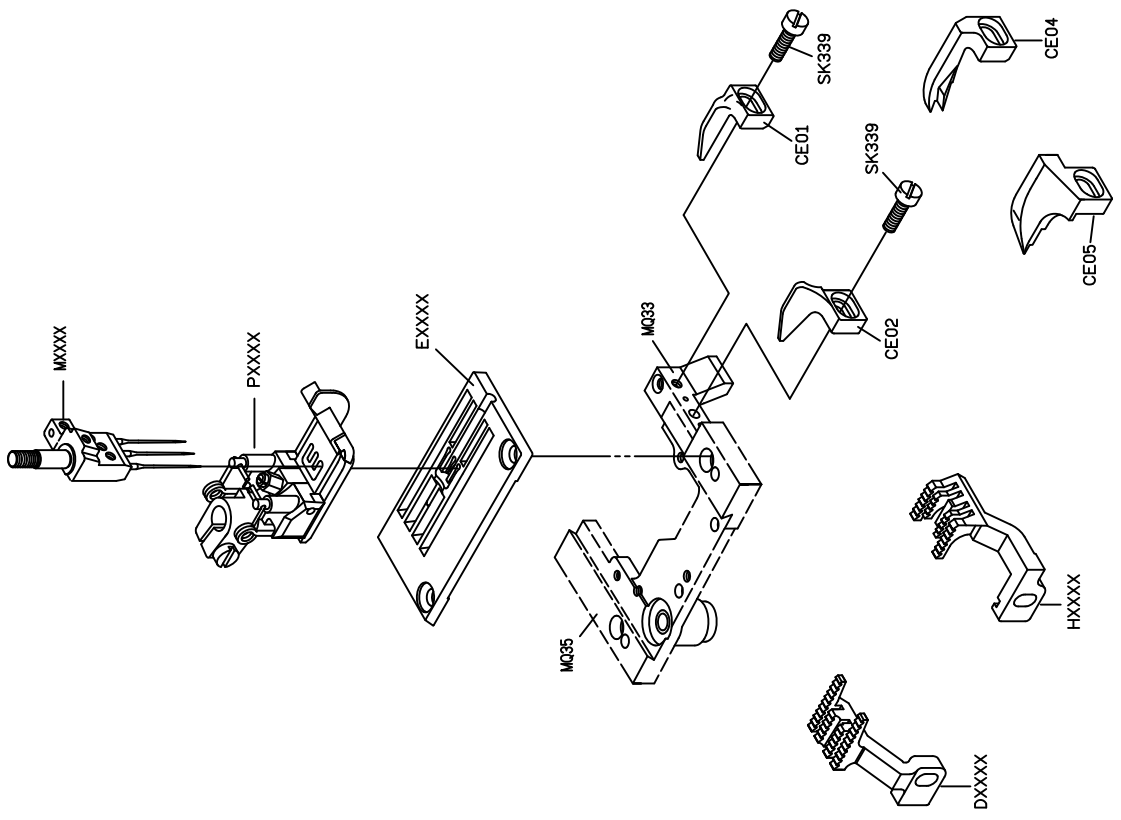
PARTS LIST FOR CC GROUP



FOR C007J/C007JD/C856J/C856JD

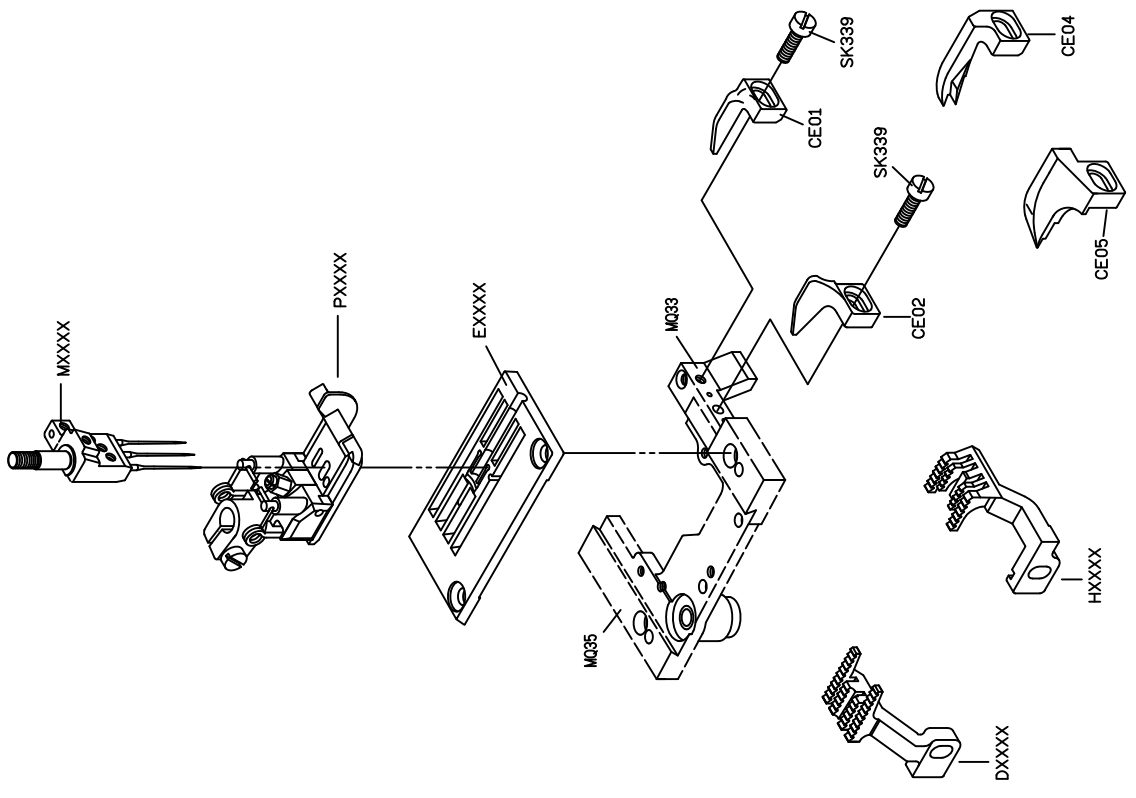
PARTS LIST FOR CD GROUP

PARTS LIST FOR CE GROUP

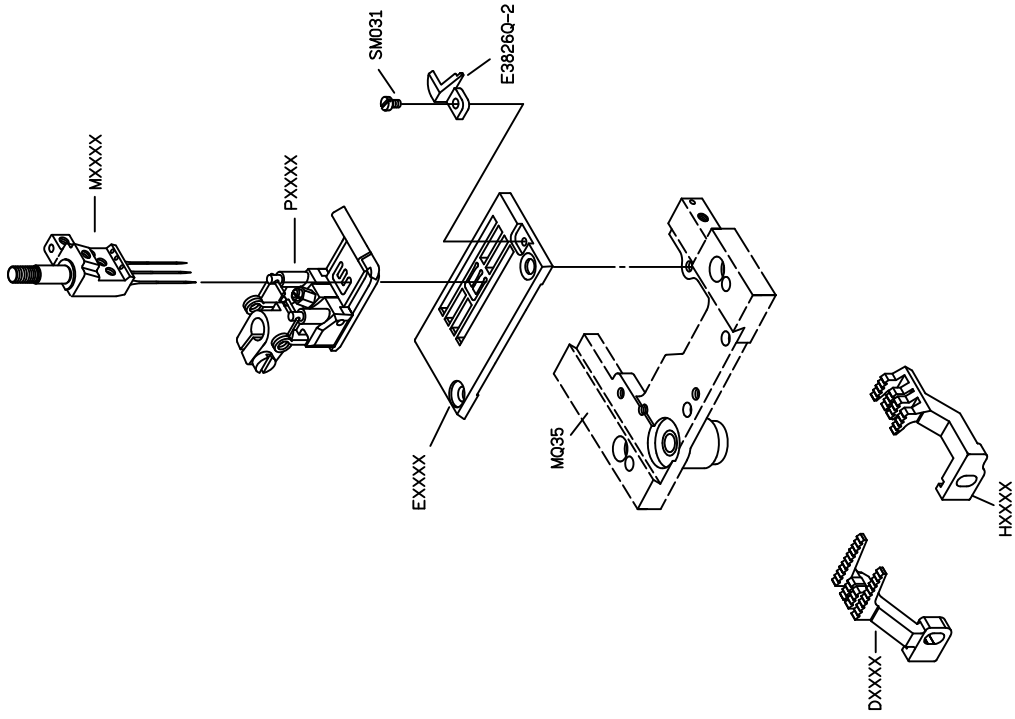


FOR C007J/C007JD/C856J/C856JD

PARTS LIST FOR CF GROUP

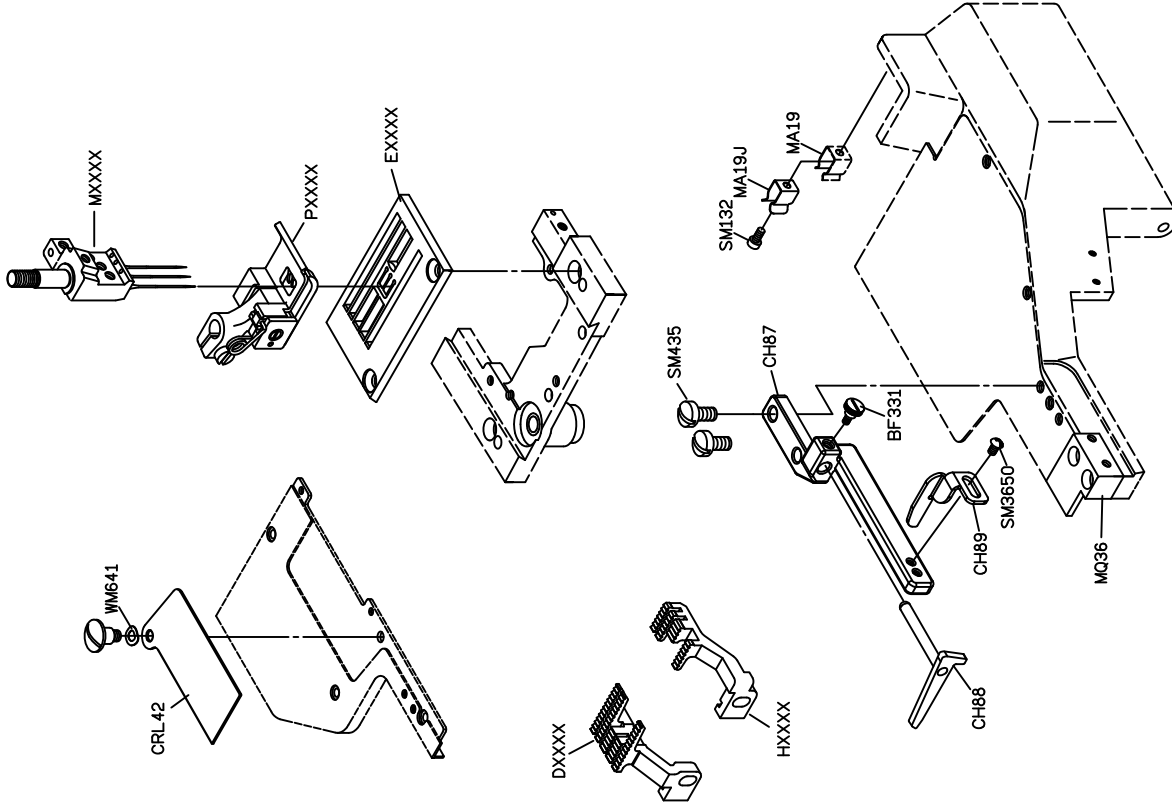


FOR C007J/C007JD/C856J/C856JD



FOR C007J/C007JD/C858J/C858JD

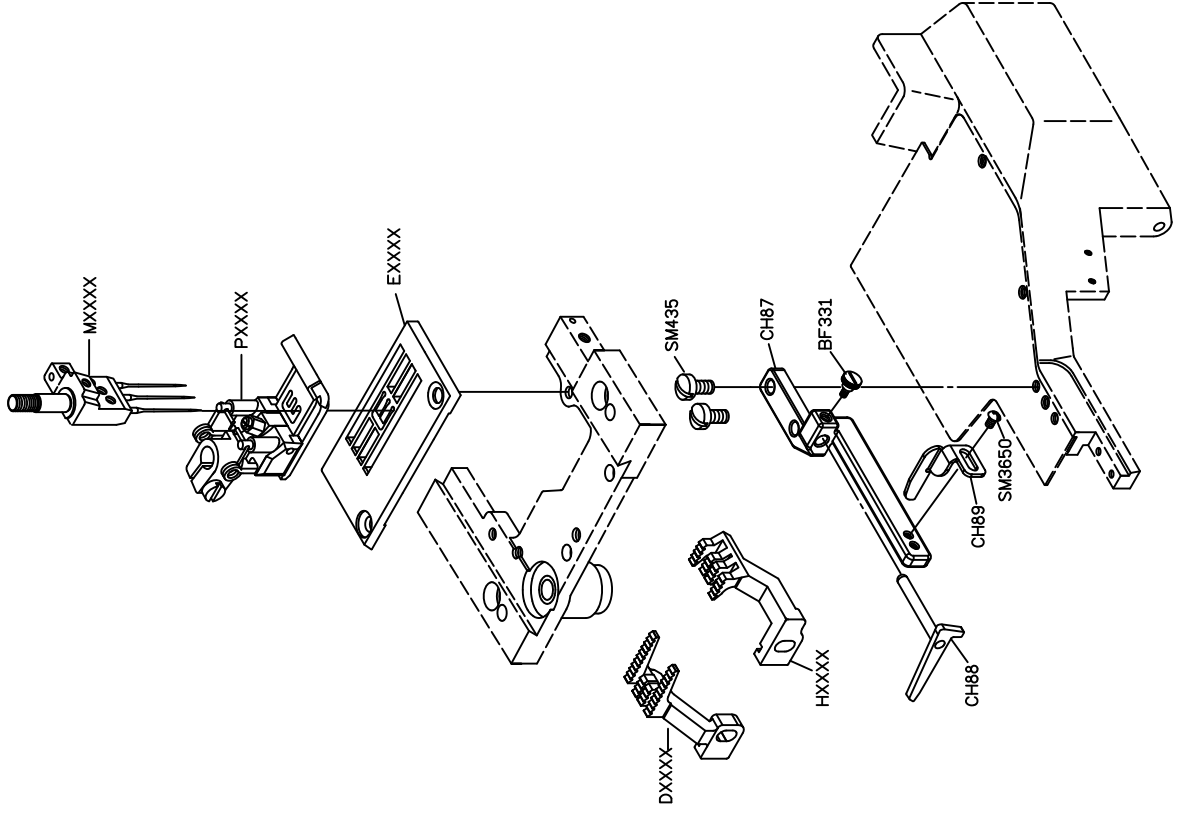
PARTS LIST FOR CHA GROUP



FOR C007J/C007JD/C858J/C858JD

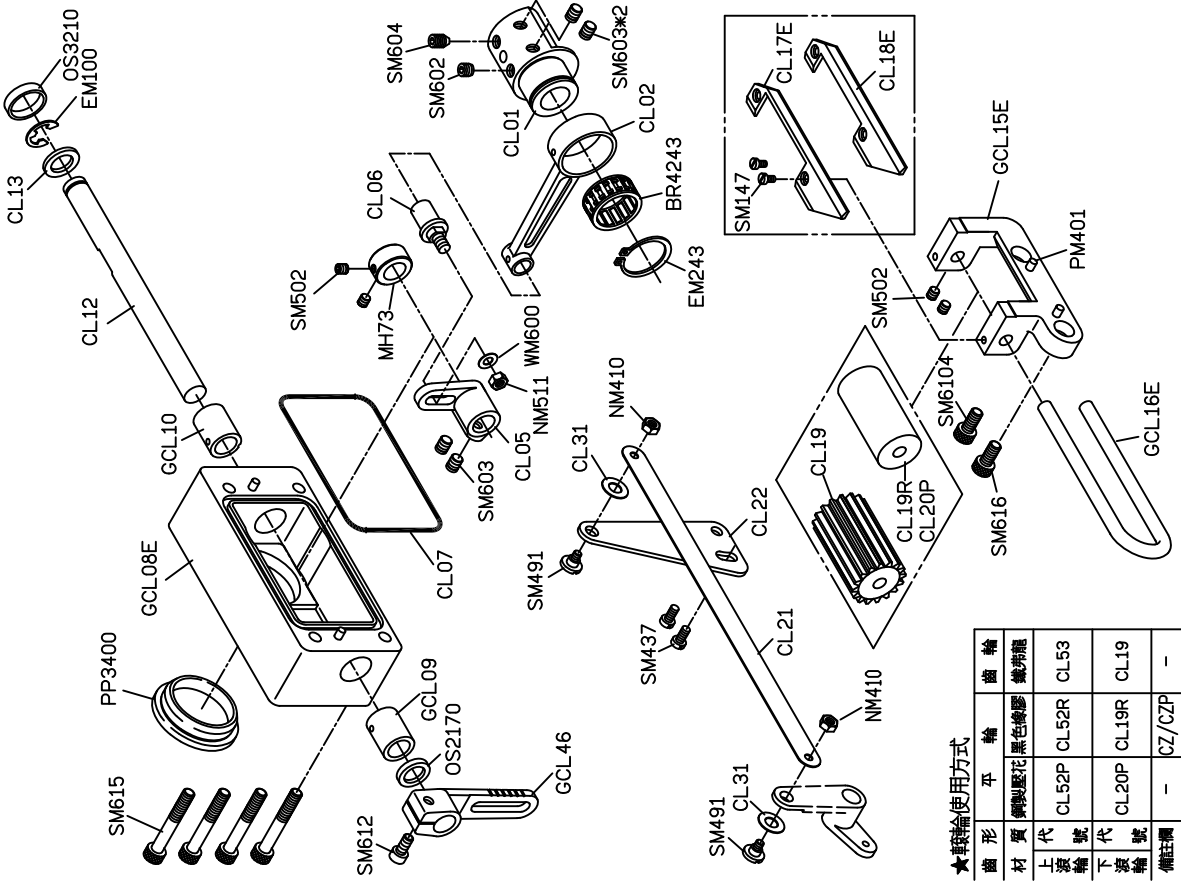
PARTS LIST FOR CHE GROUP

PARTS LIST FOR CH GROUP



FOR C007J/C007JD/C858J/C858JD

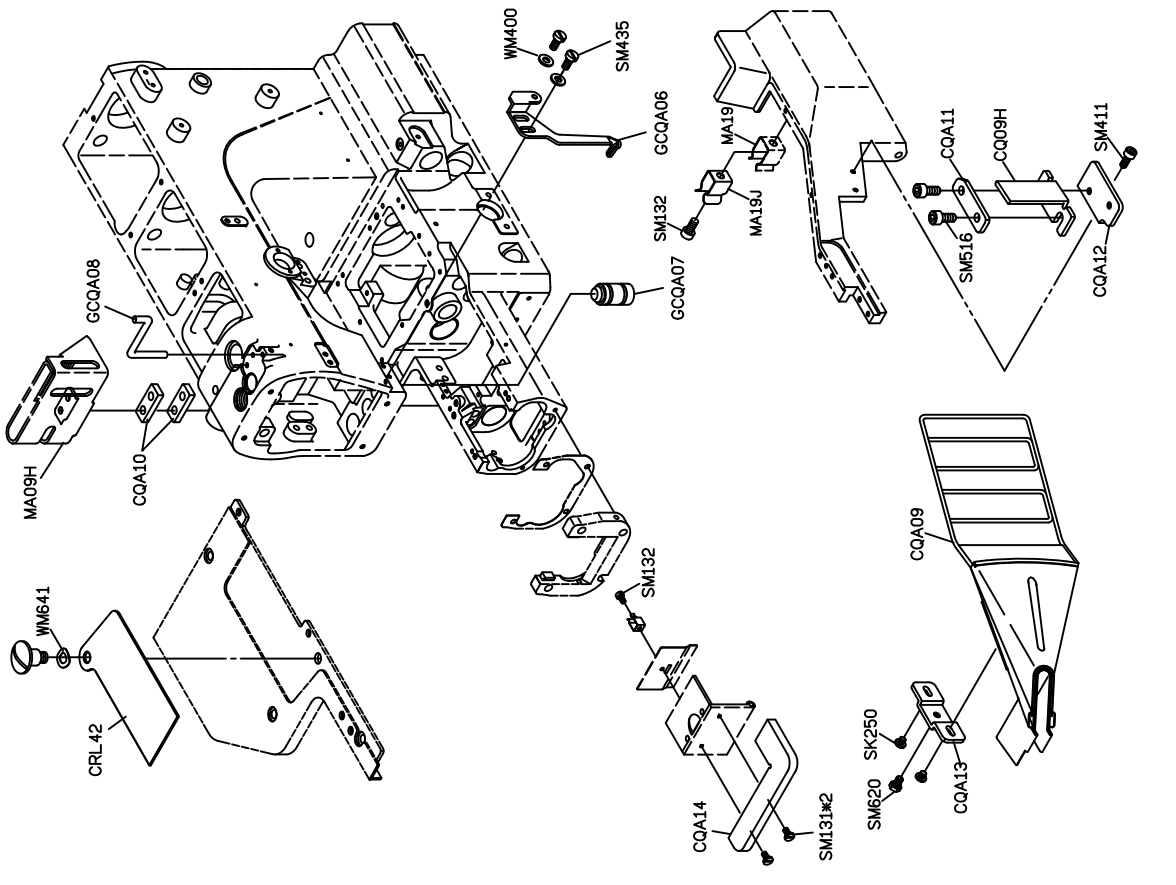
PARTS LIST FOR CL GROUP



★ 轉輪使用方式

齒形	平輪	齒輪	齒輪
材質	鋼製	鋼製	鋼製
上滾輪	CL52P	CL52R	CL53
下滾輪	CL20P	CL19R	CL19
備註欄	-	CZ/CZP	-

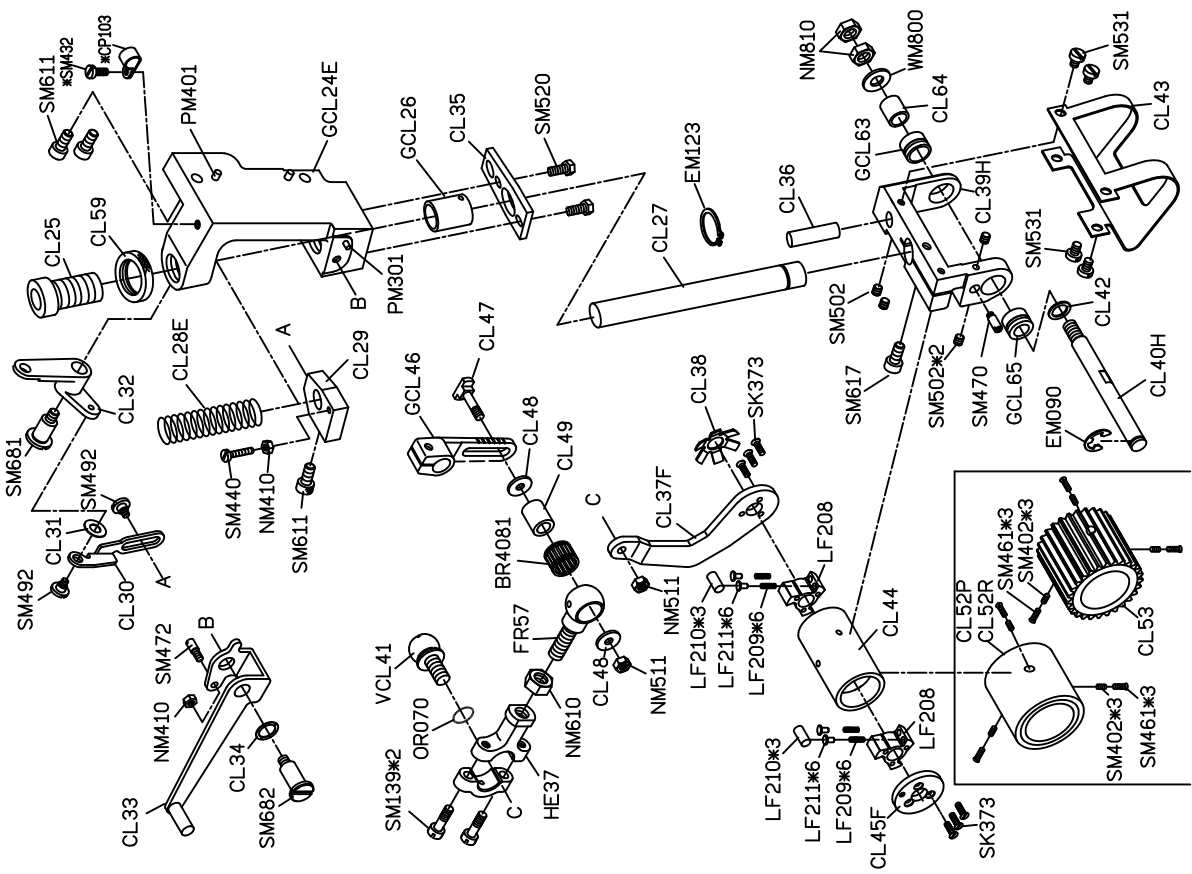
FOR C007J/C007JD/C858J/C858JD



FOR C007J/C007JD/C858J/C858JD

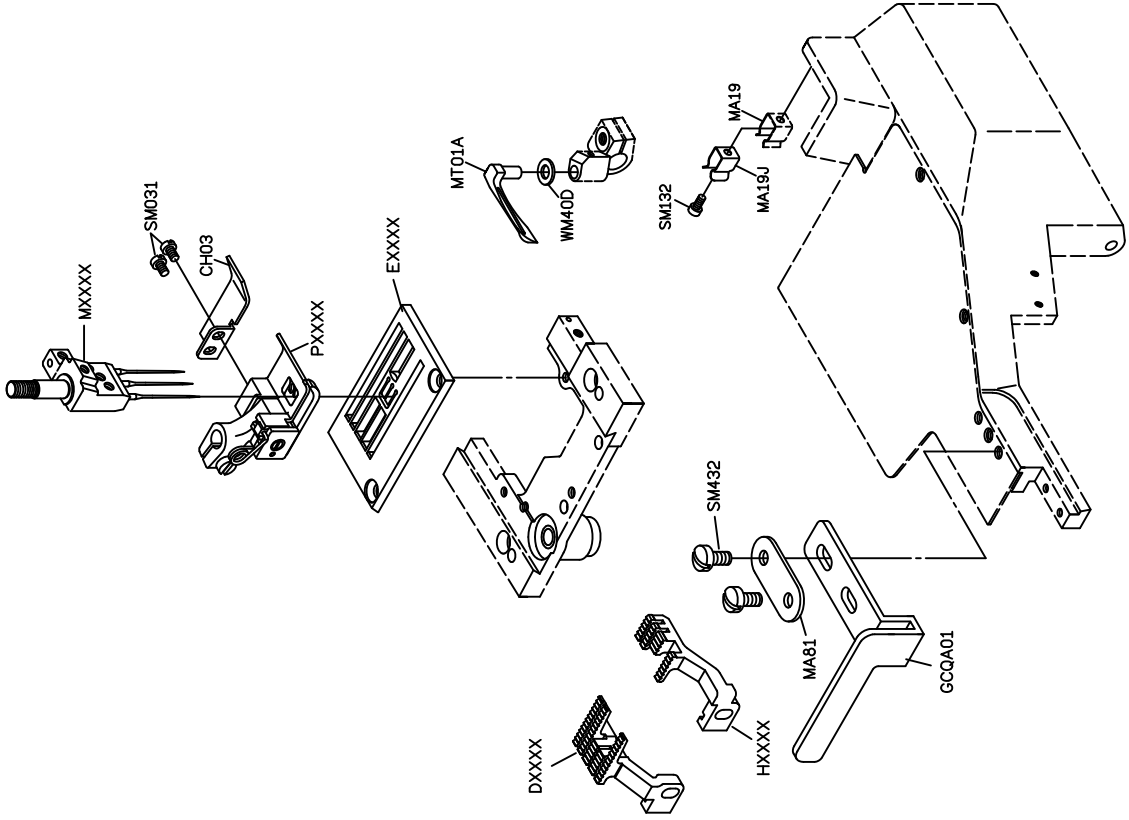
PARTS LIST FOR CQA GROUP

PARTS LIST FOR CL GROUP



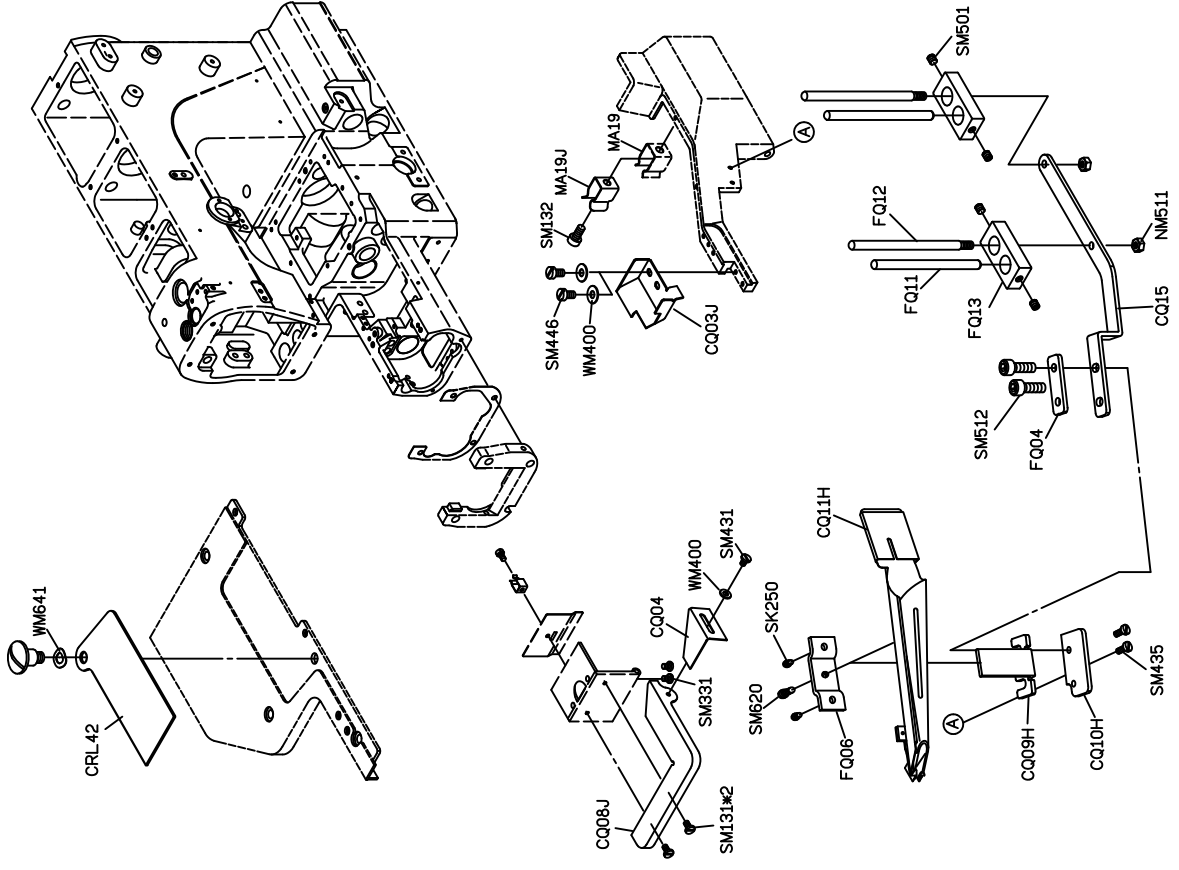
FOR C007J/C007JD/C858J/C858JD
* USE FOR UTP

PARTS LIST FOR CQA GROUP

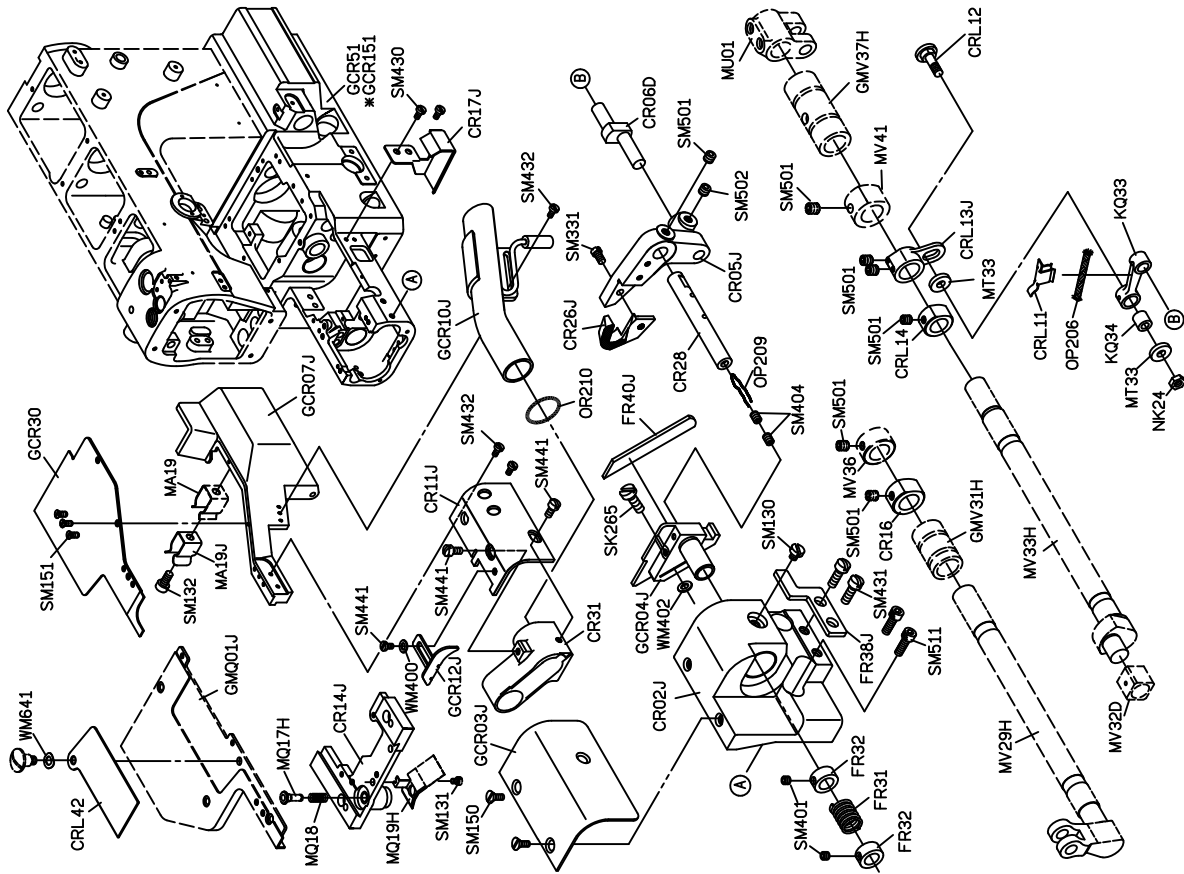


FOR C007J/C007JD/C858J/C858JD

PARTS LIST FOR CQ GROUP

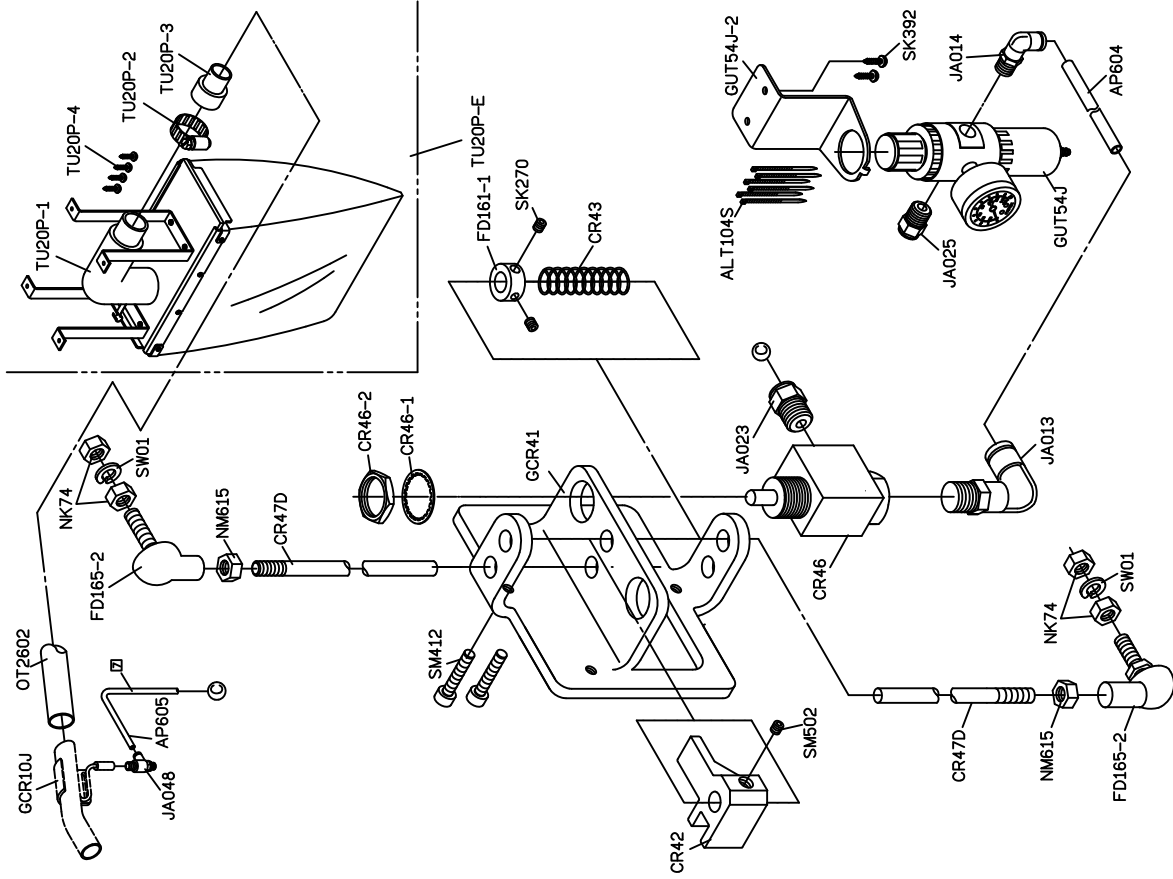


FOR C007J/C007JD/C858J/C858JD



FOR C007J/C007JD/C858J/C858JD
 *USE FOR C007JD/C858JD

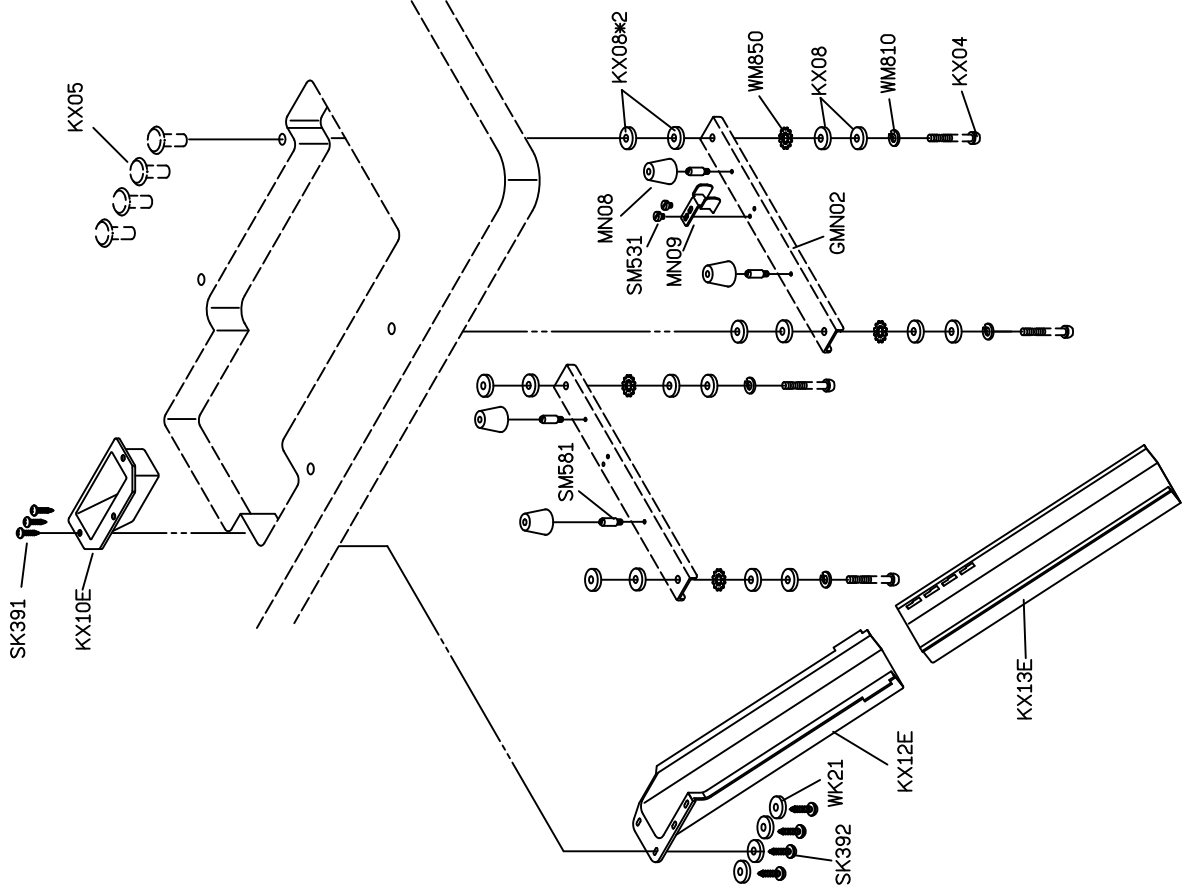
PARTS LIST FOR CRA GROUP



FOR C007J/C858J/CRA-J
 C007JD/C858J/CRA-J

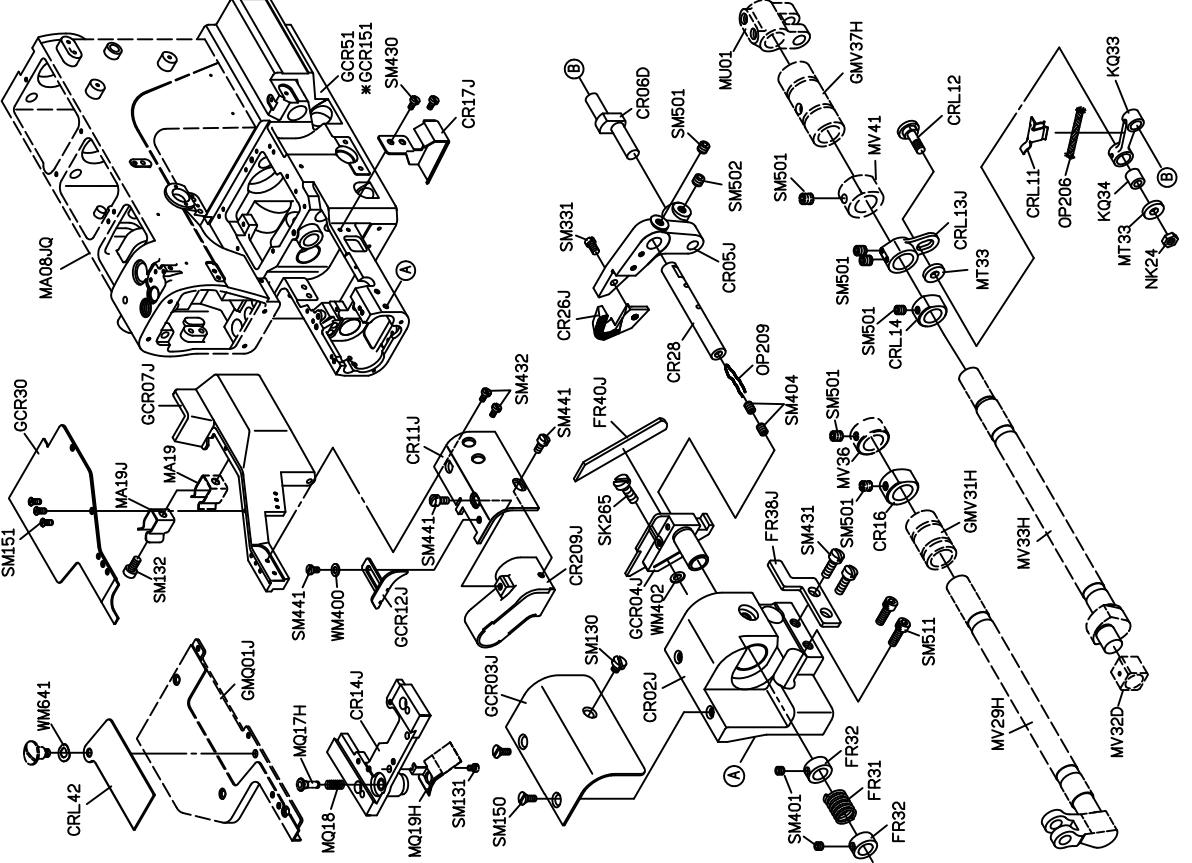
PARTS LIST FOR CRA GROUP

PARTS LIST FOR CRB GROUP

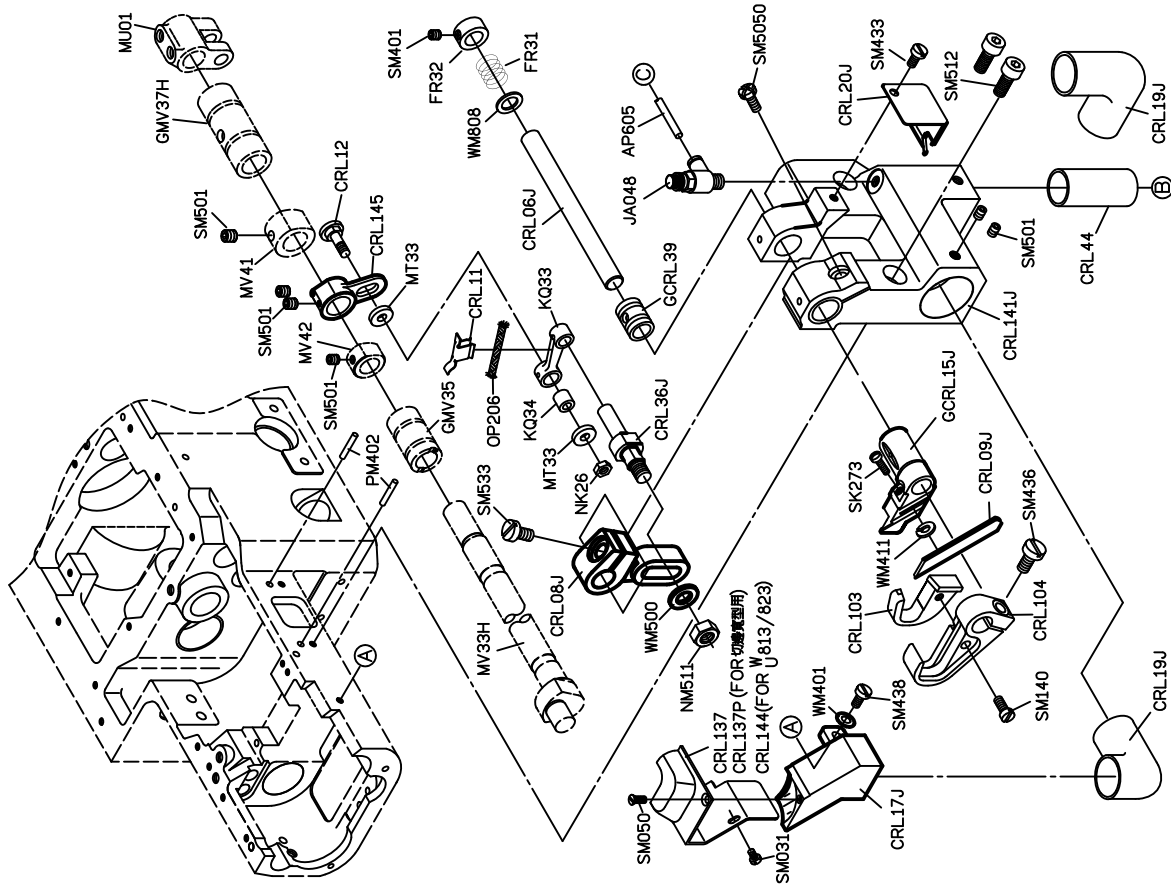


FOR C007J/C007JD/C858J/C858JD
 *USE FOR C007JD/C858JD

PARTS LIST FOR CRB GROUP



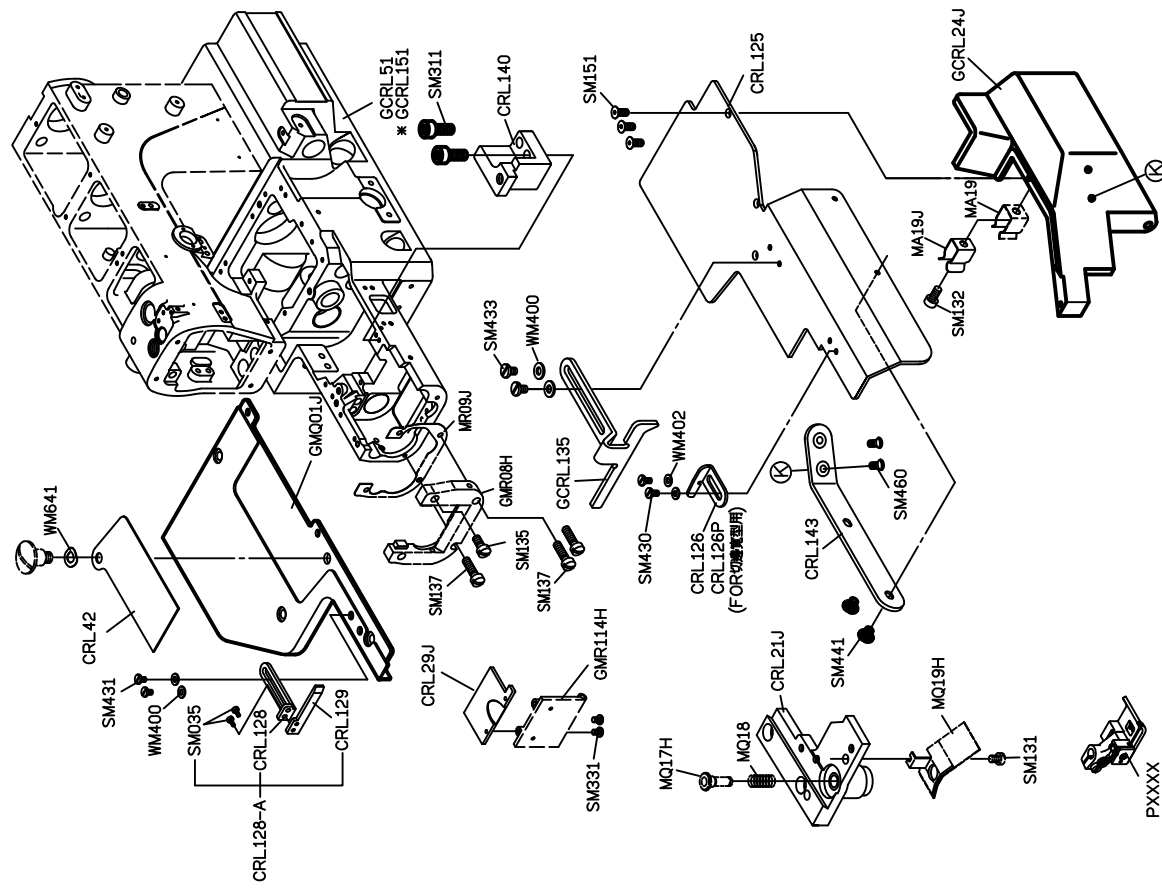
FOR C007J/C007JD/C858J/C858JD
 *USE FOR C007JD/C858JD



FOR C007J/C007JD/C856J/C856JD
 注: ①CRL 認針行程為 34mm, CRL103 切刃刀厚為 2.0mm, 刀尖圓角半徑為 7mm.
 ②加蓋 CRL137P 時, 附帶 CRL137/CRL126

PARTS LIST FOR CRL GROUP

PARTS LIST FOR CRL GROUP

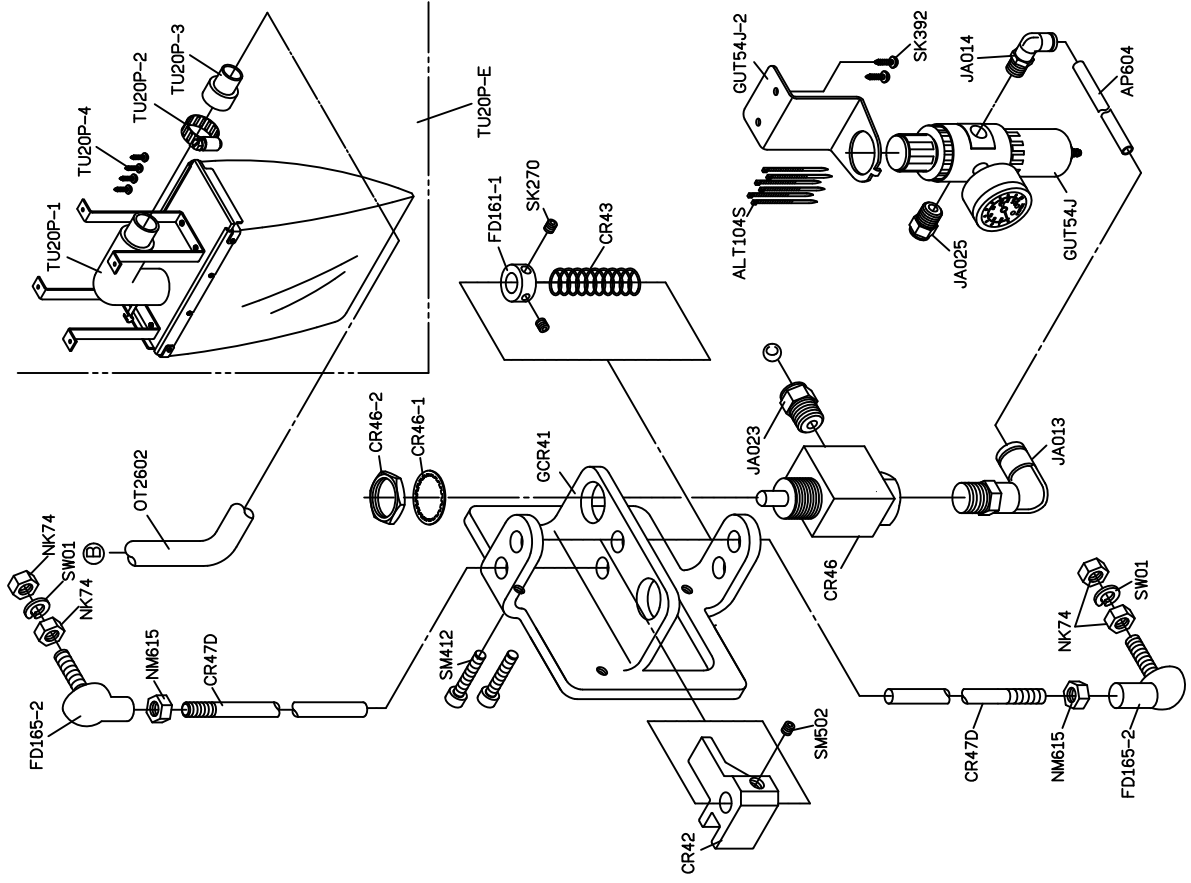


FOR C007J/C007JD/C856J/C856JD
 * USE FOR C007JD/C856JD

PARTS LIST FOR CRL GROUP

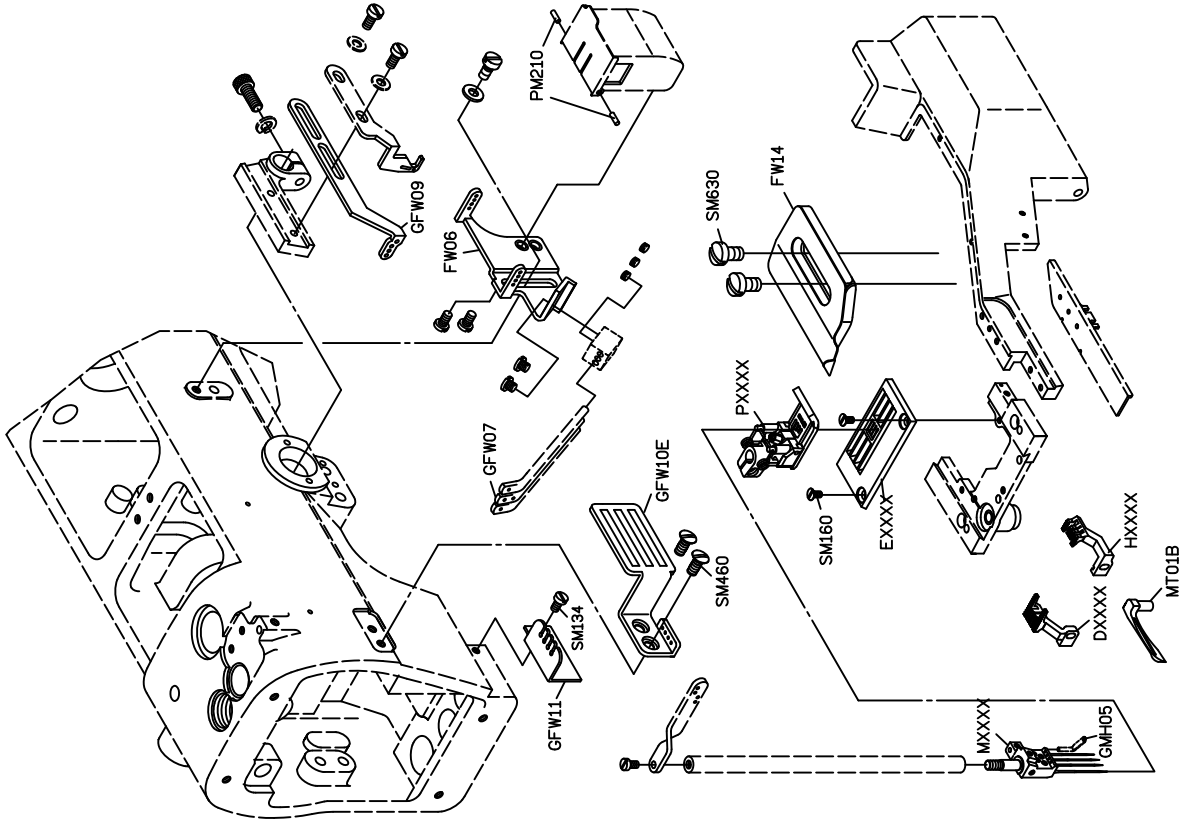
PARTS LIST FOR CRL GROUP

PARTS LIST FOR CRL GROUP

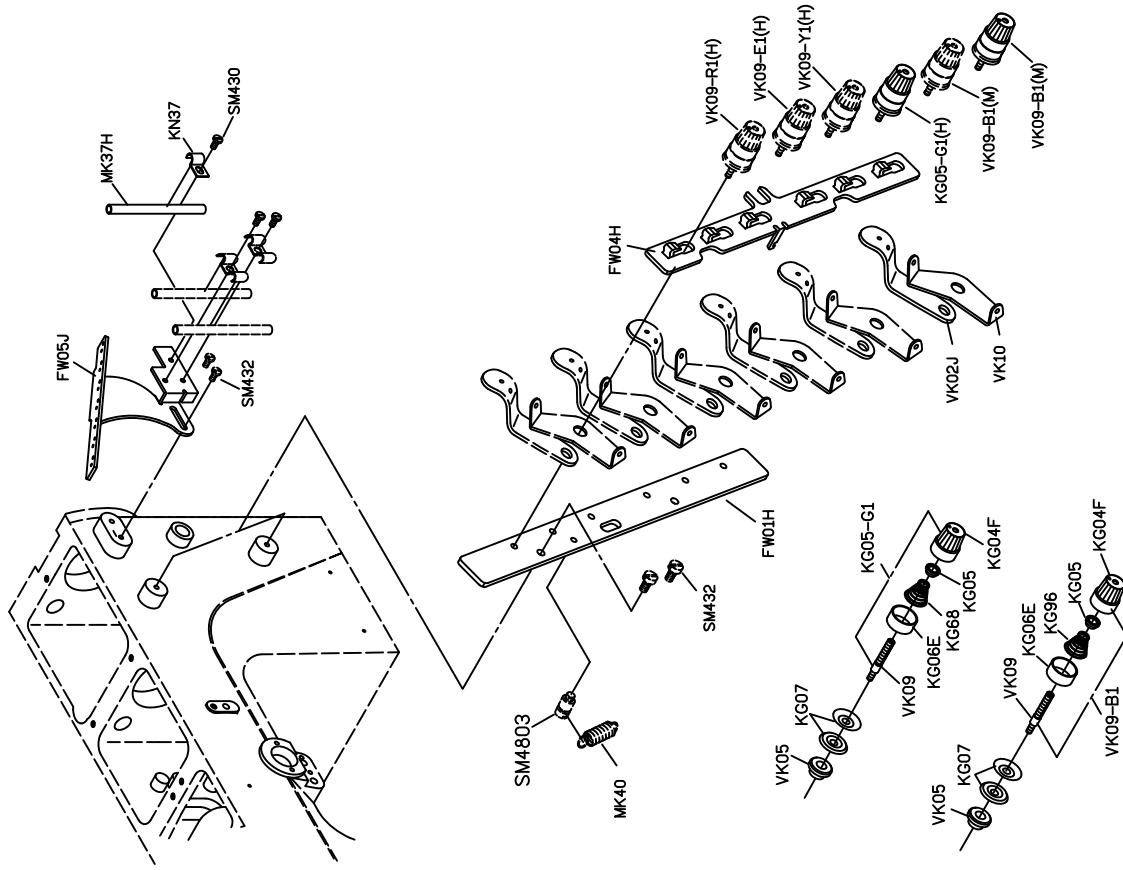


FOR C007J/C858J/CRL-J
C007J/C858J/CRL-J

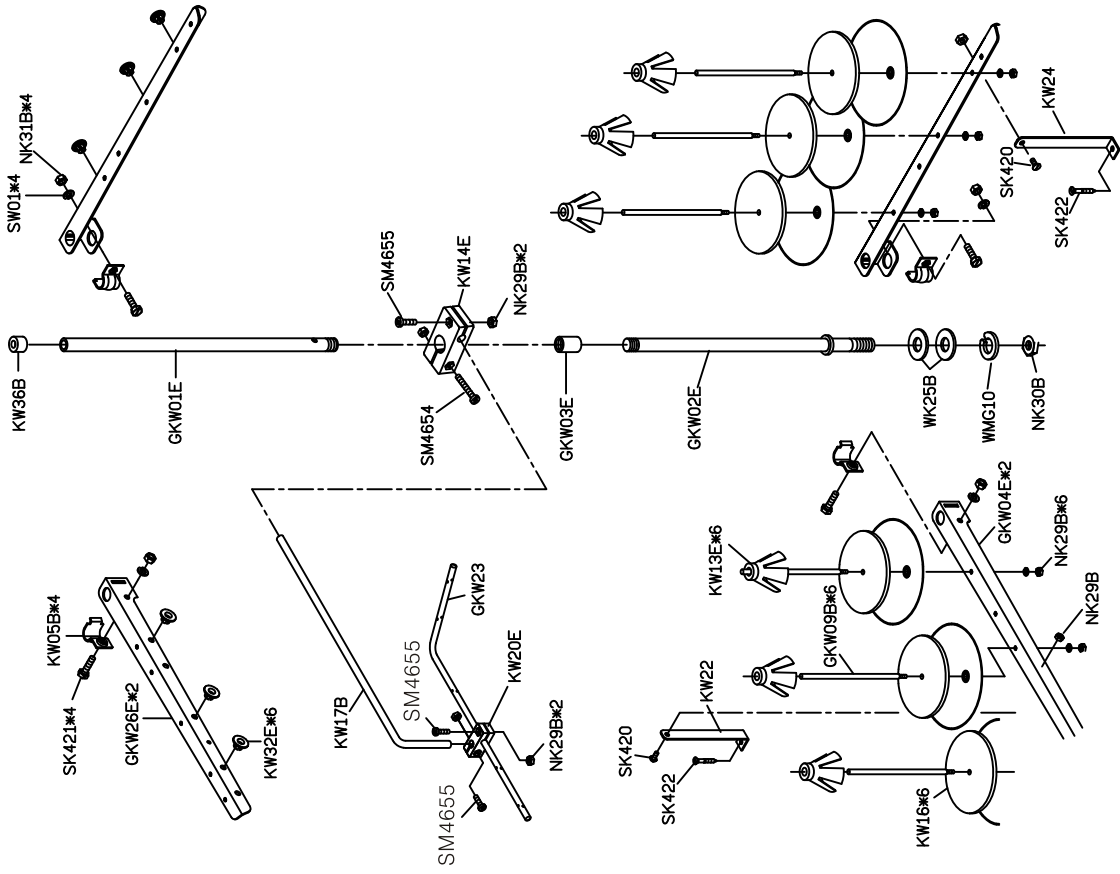
PARTS LIST FOR CW GROUP



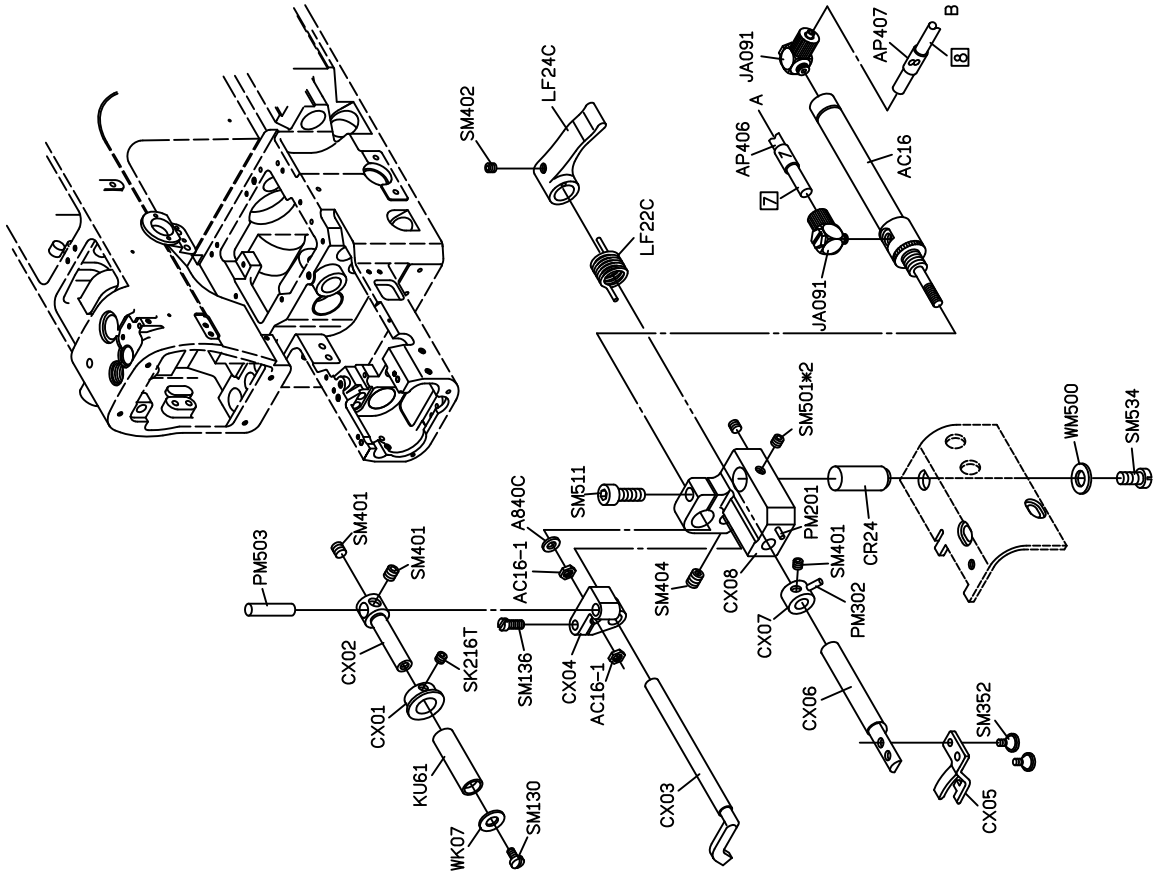
FOR C007J/C007J.D/C858J/C858J.D



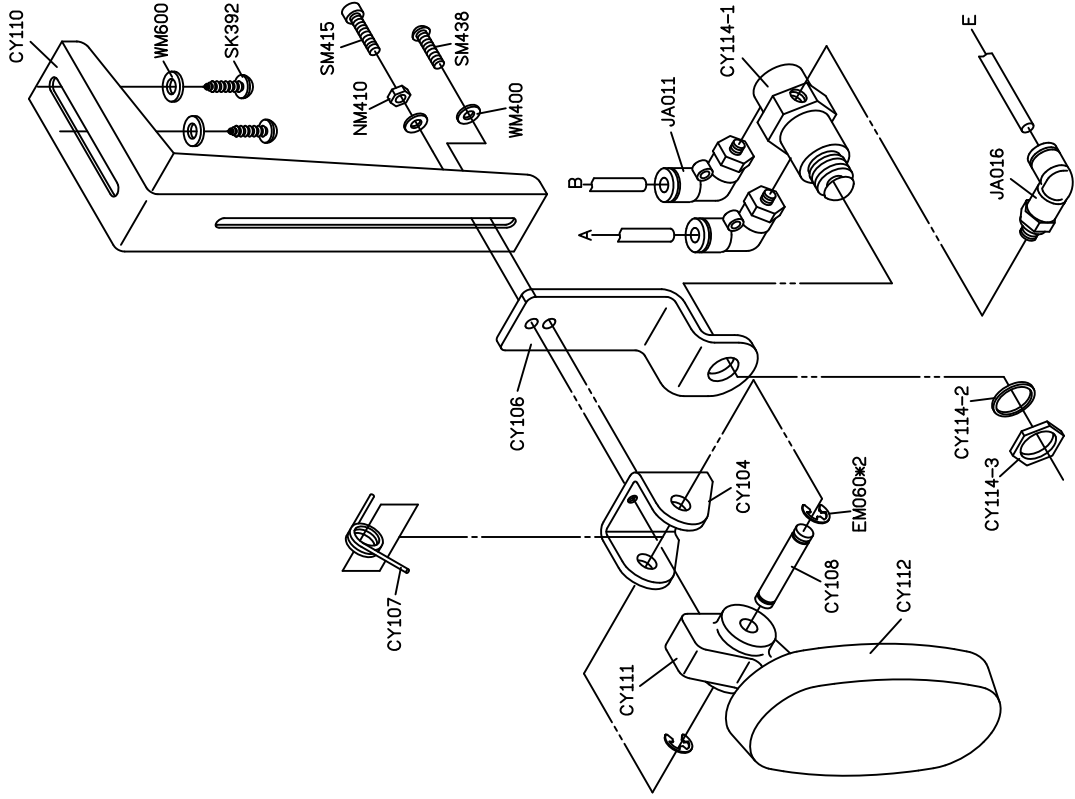
FOR F007J/F007JD/C007J/C007JD/F856J/F856JD/C856J/C856JD



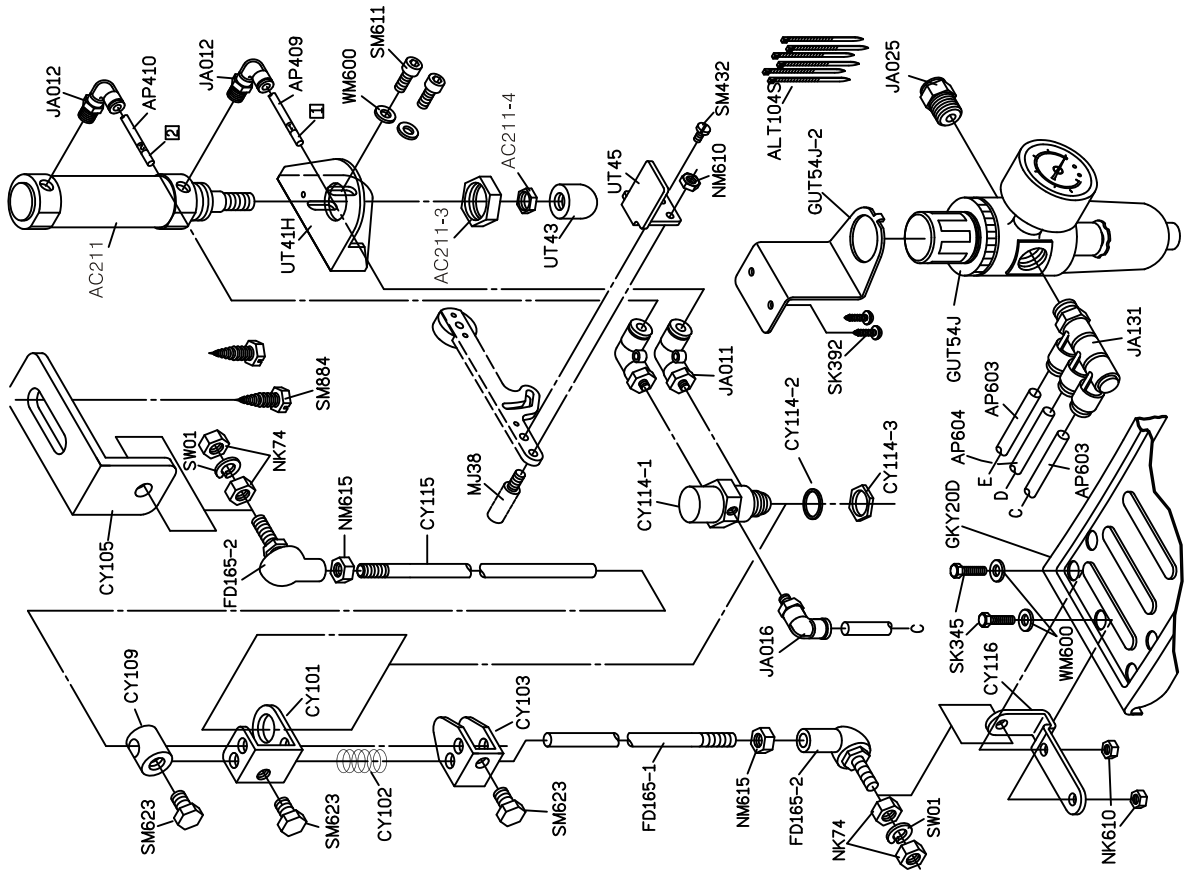
FOR F007J/F007JD/C007J/C007JD/F856J/F856JD/C856J/C856JD



FOR C007J/C007JD/C856J/C858JD
* USE FOR C007JD/C858JD

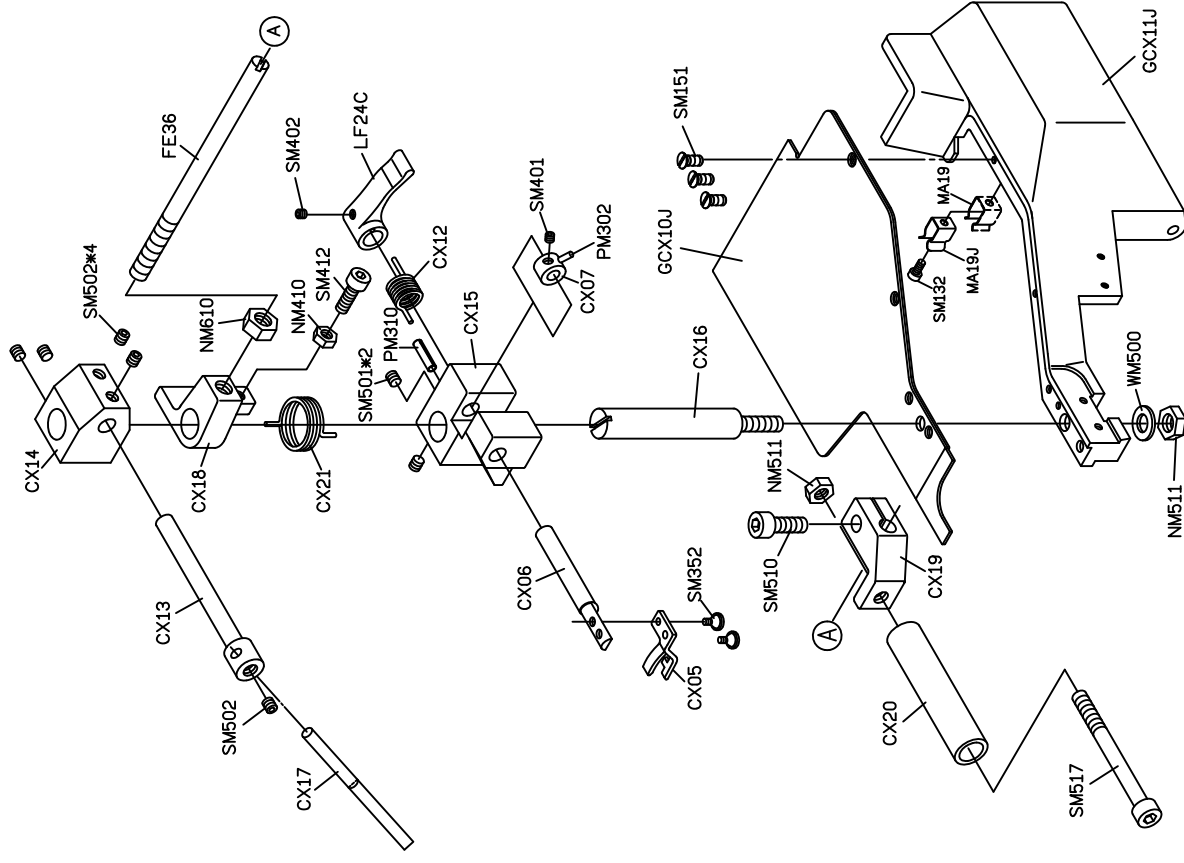


FOR C007H/C007J/C007JD/C856J/C858JD



FOR C007H/C007J/C007JD/C858J/C858JD

PARTS LIST FOR CX-A GROUP



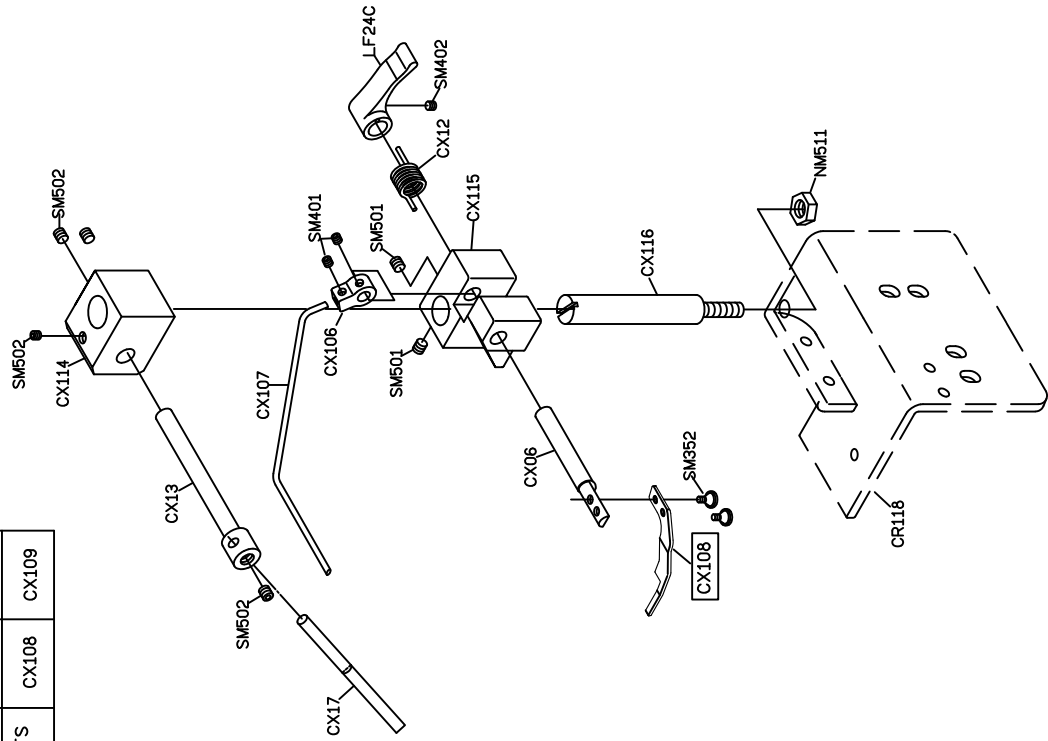
FOR C007J/C007JD/C858J/C858JD

PARTS LIST FOR CX-B GROUP

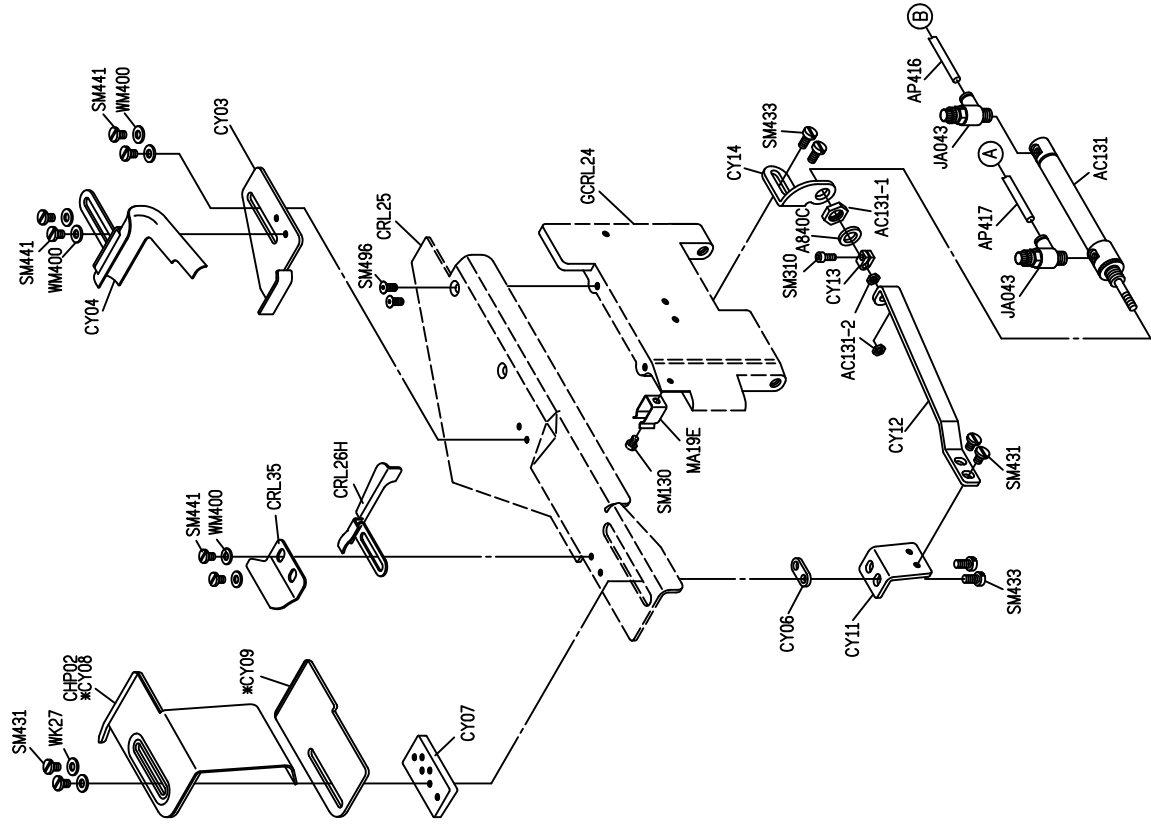
PARTS LIST FOR CX-J GROUP

PARTS LIST FOR CY(CHP) GROUP

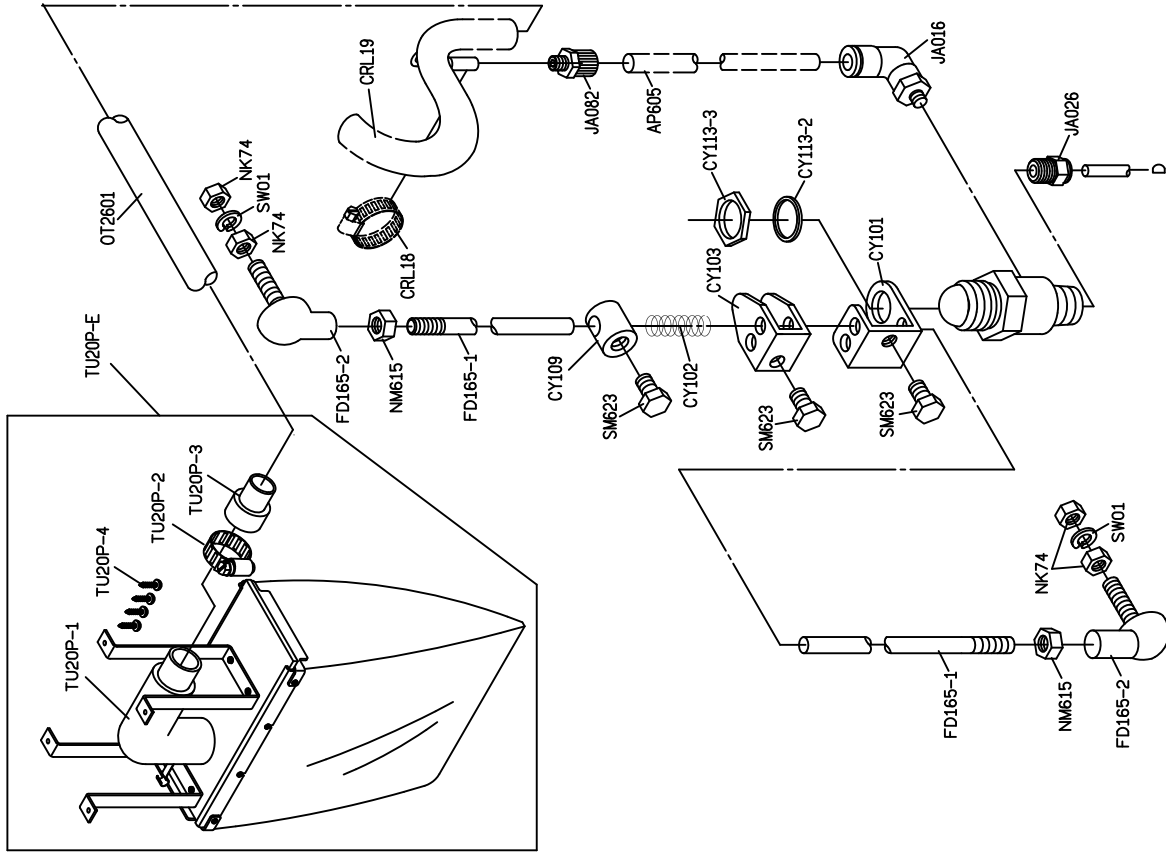
MODEL	部材	超導布
PARTS NO	CX108	CX109



FOR C007J/C858J/CR-J/CX-J

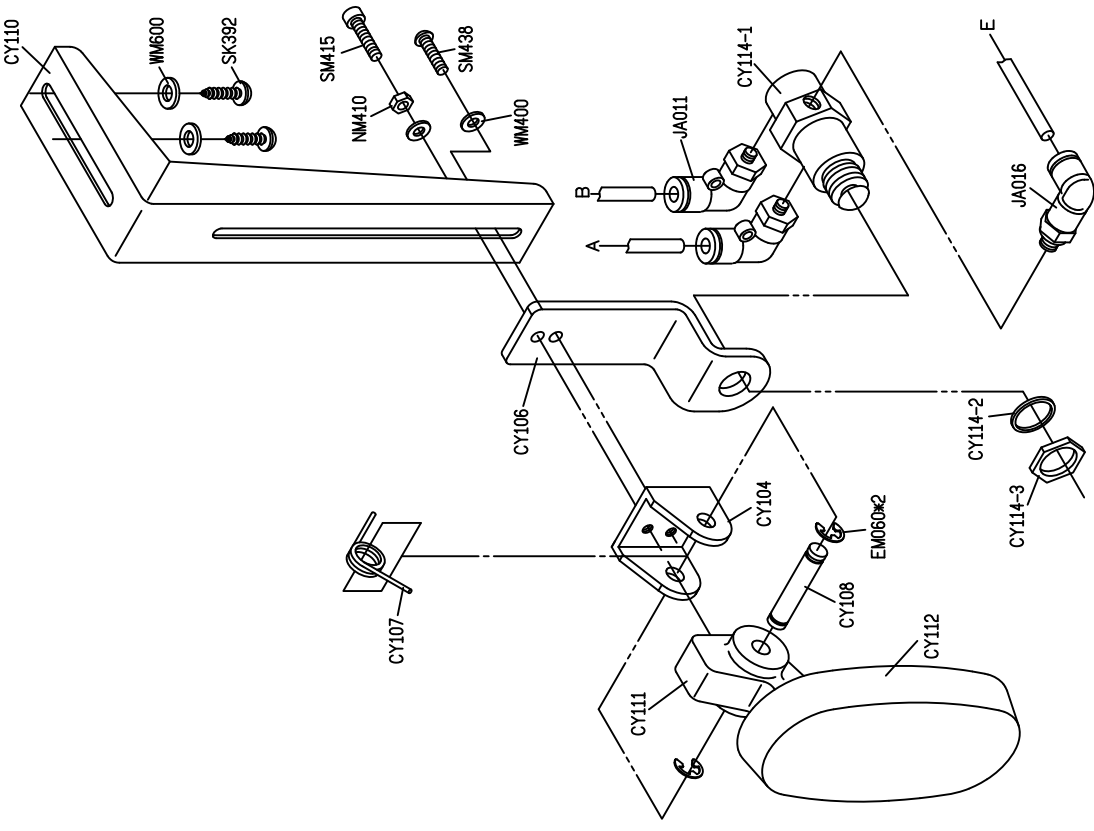


FOR C007J/C858J
*USR FOR CY-H



FOR C007J/C858J

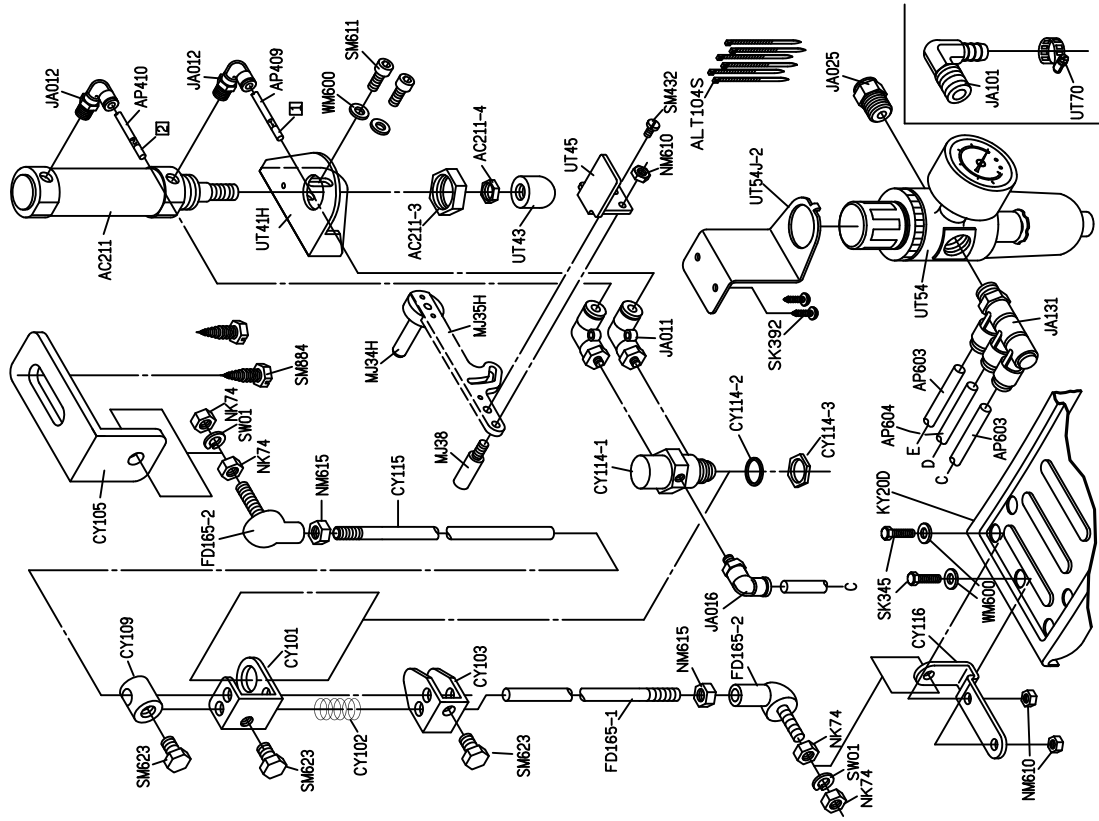
PARTS LIST FOR CY(CHP) GROUP



FOR C007J/C858J

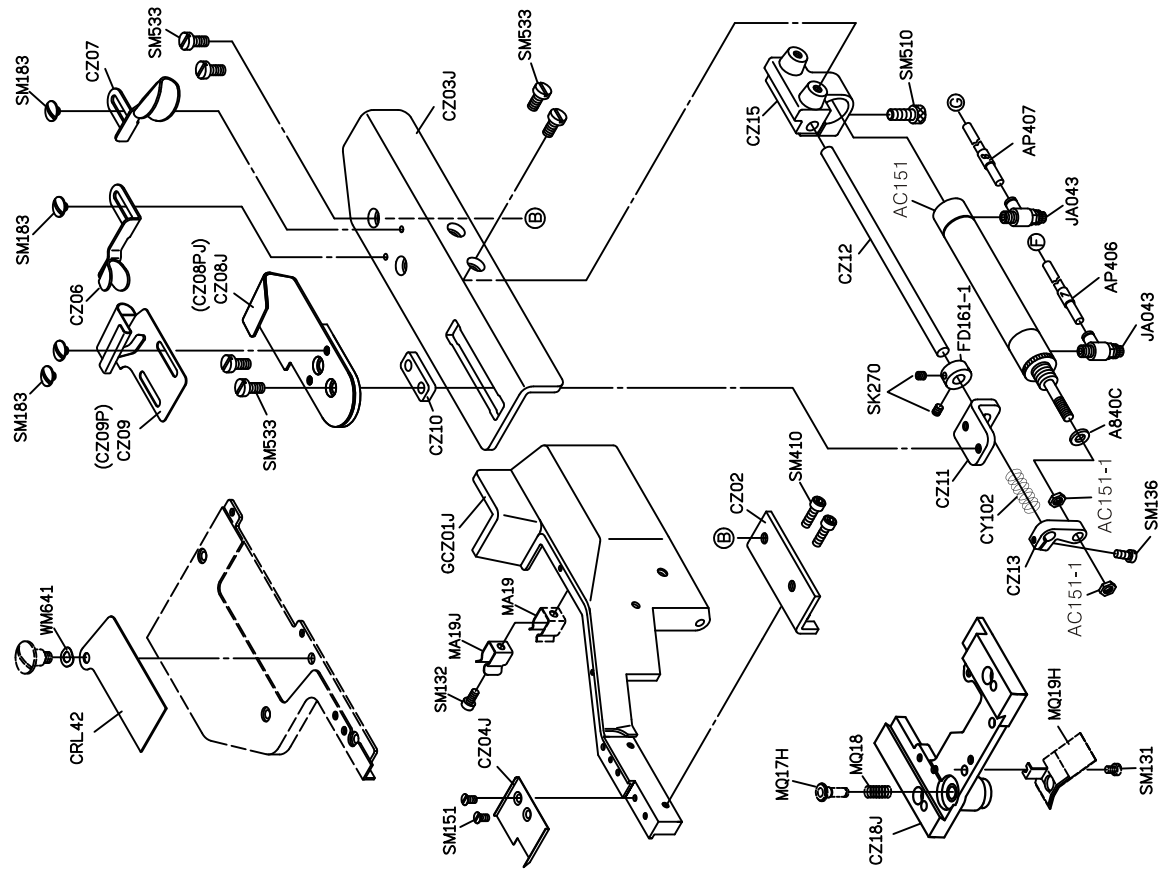
PARTS LIST FOR CY(CHP) GROUP

PARTS LIST FOR CY(CHP) GROUP

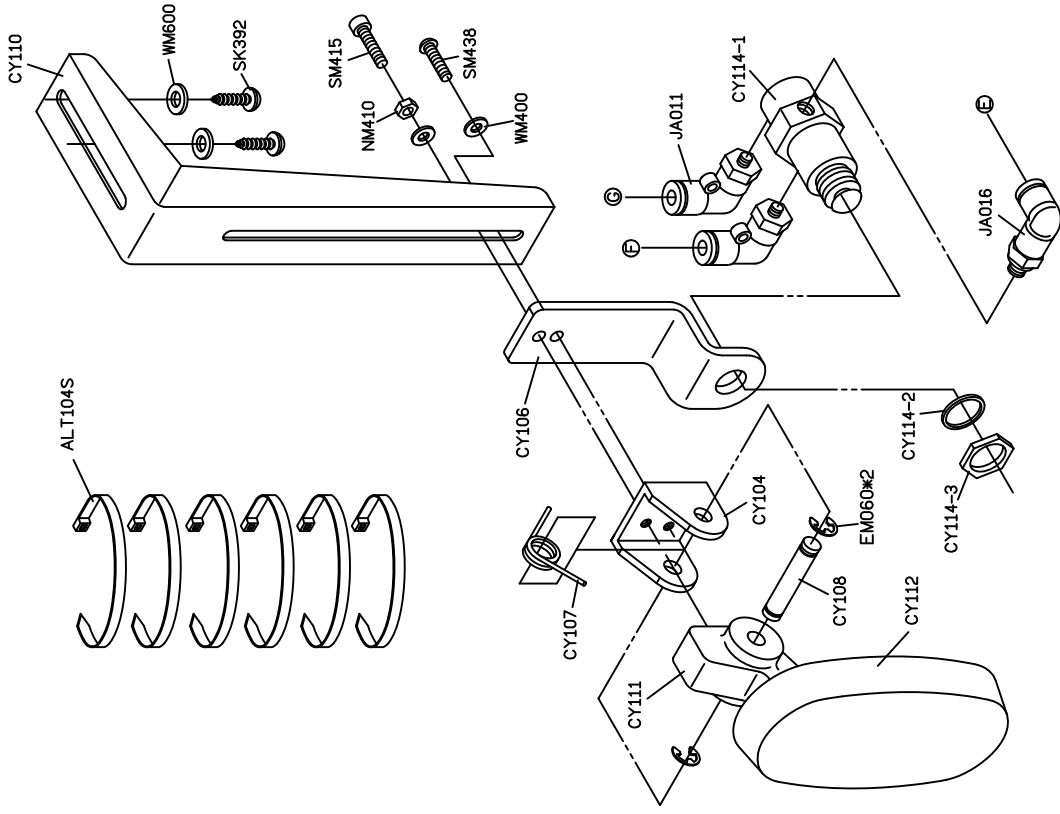


FOR C007J/C858J

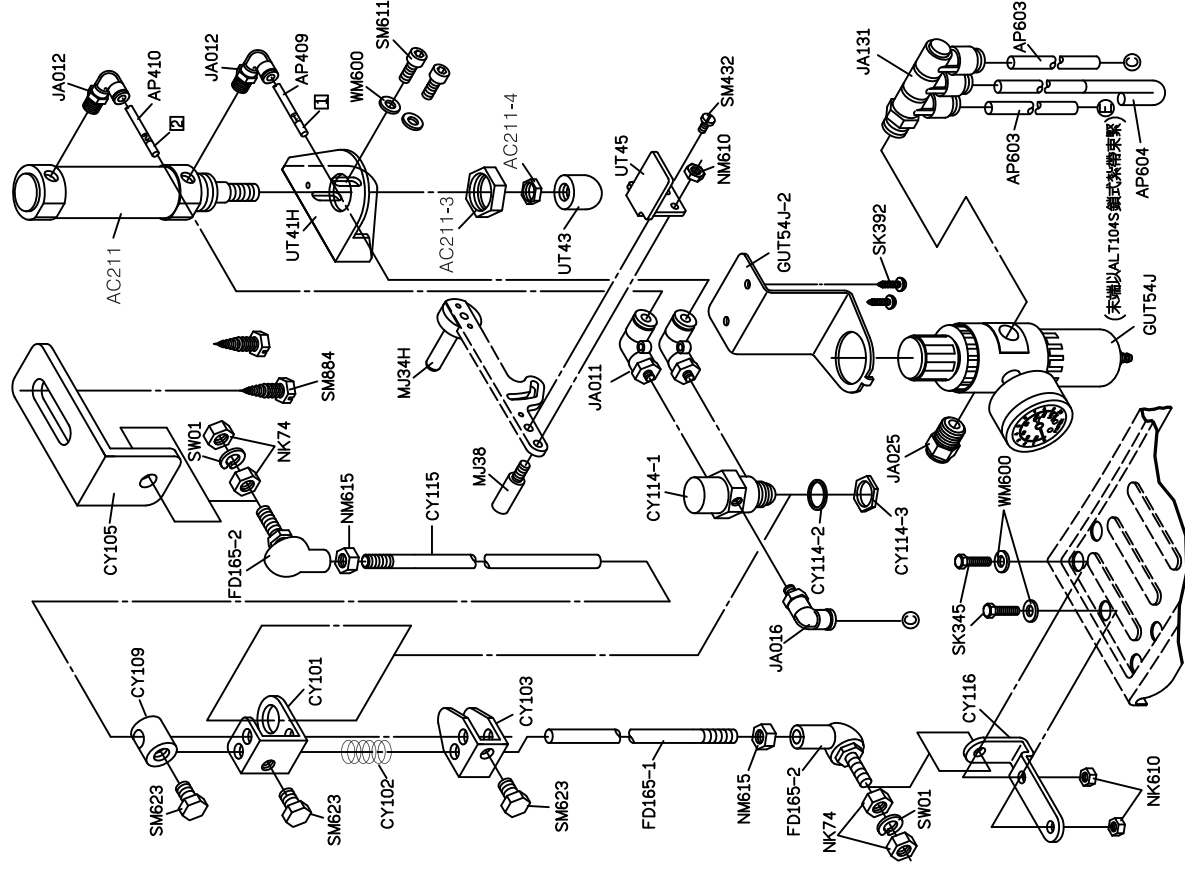
PARTS LIST FOR CZ-J GROUP



FOR C007J/C007JD/C858J/C858JD



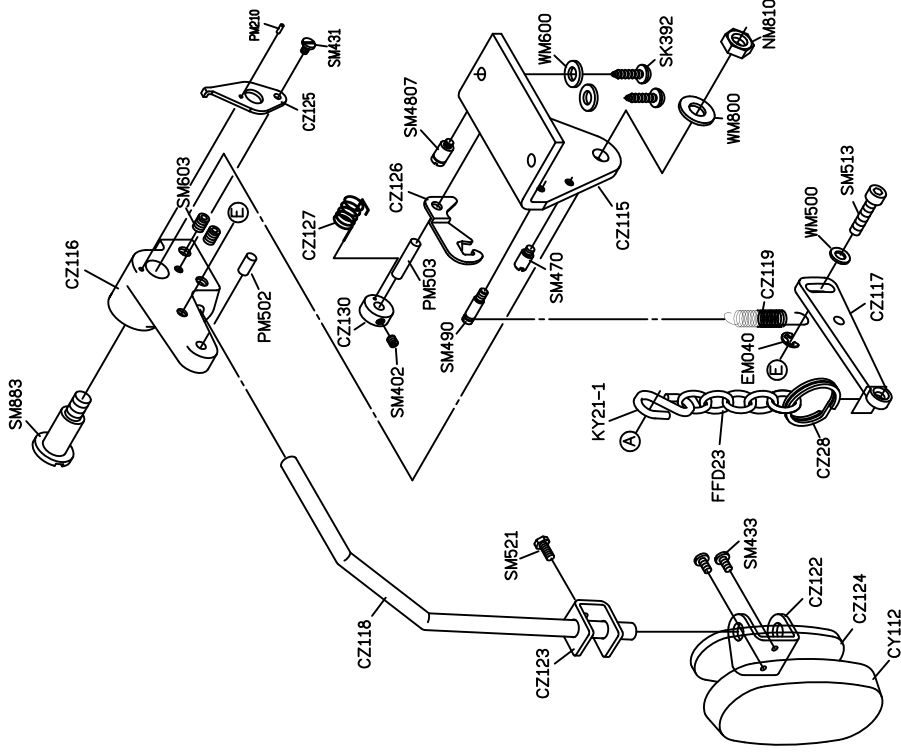
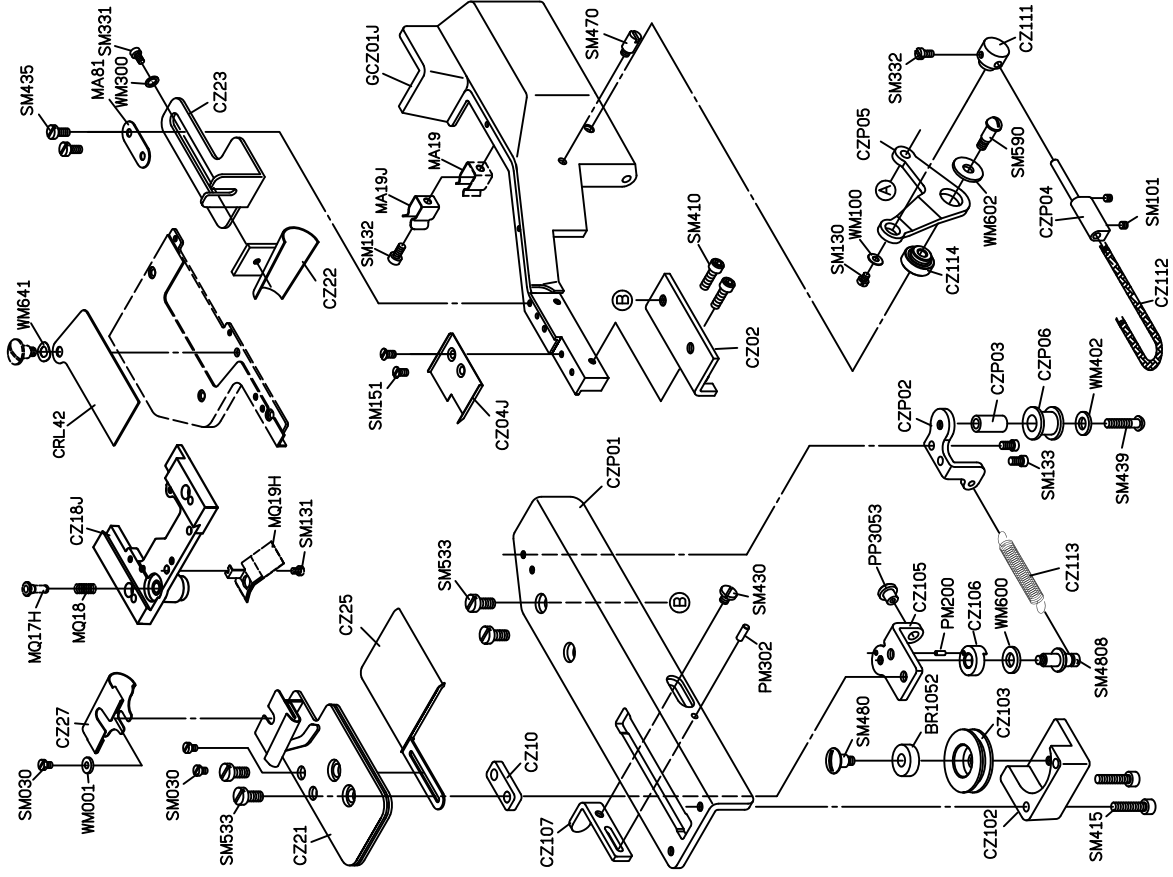
FOR C007J/C007JD/C858J/C858JD



FOR C007J/C007JD/C858J/C858JD

PARTS LIST FOR CZP GROUP

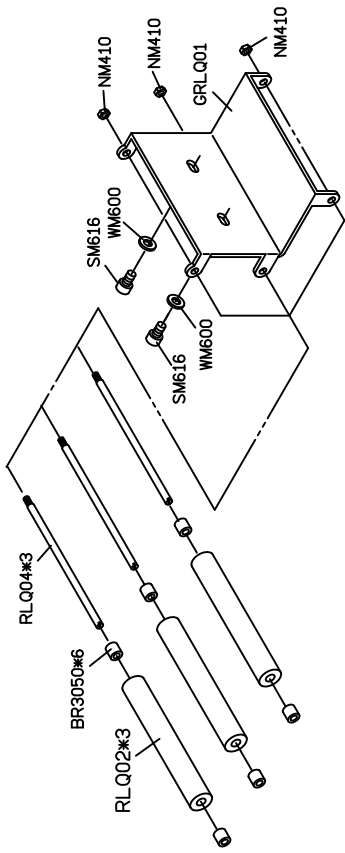
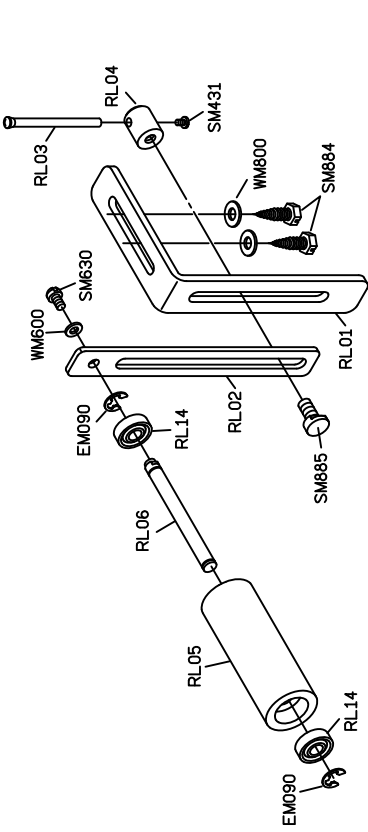
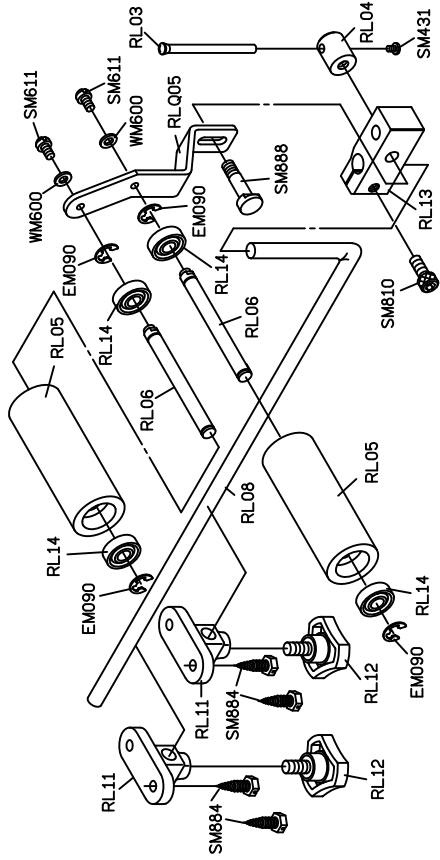
PARTS LIST FOR CZP GROUP



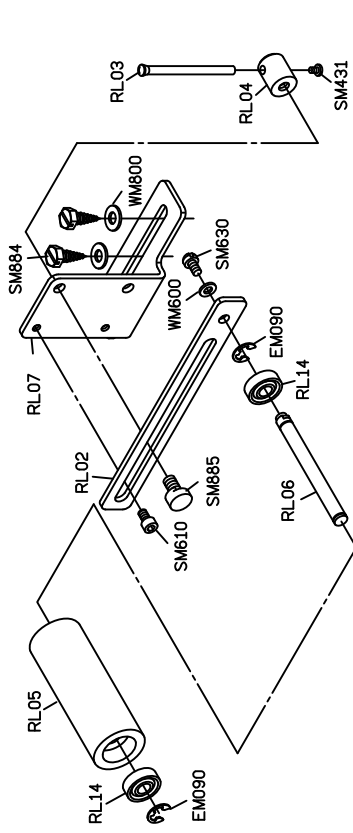
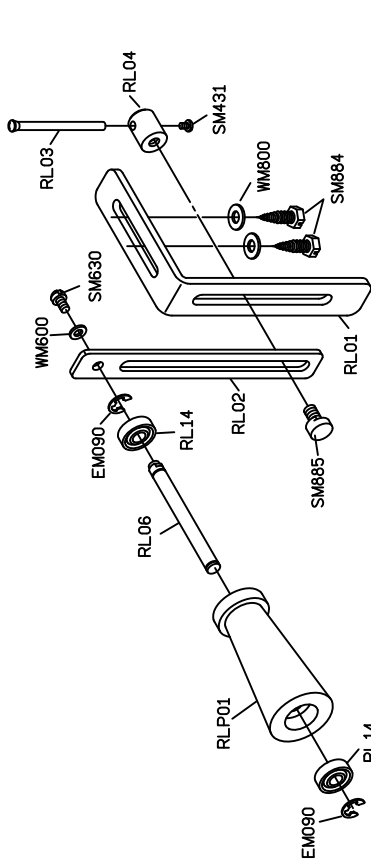
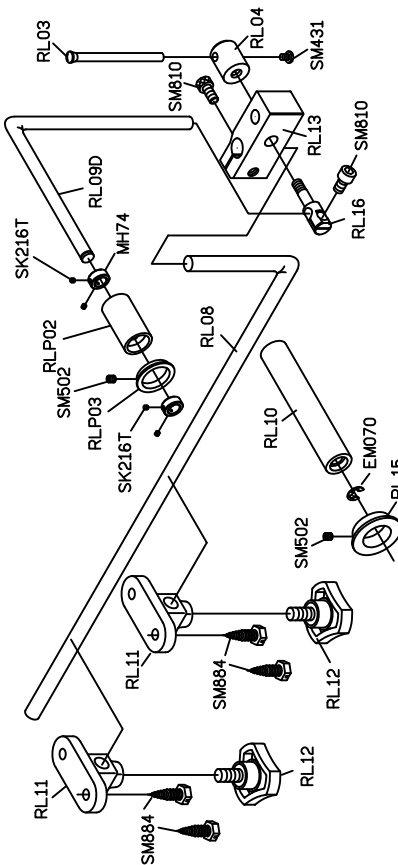
FOR C007J/C007JD/C856J/C858JD

FOR C007J/C007JD/C856J/C858JD

PARTS LIST FOR RLQ GROUP



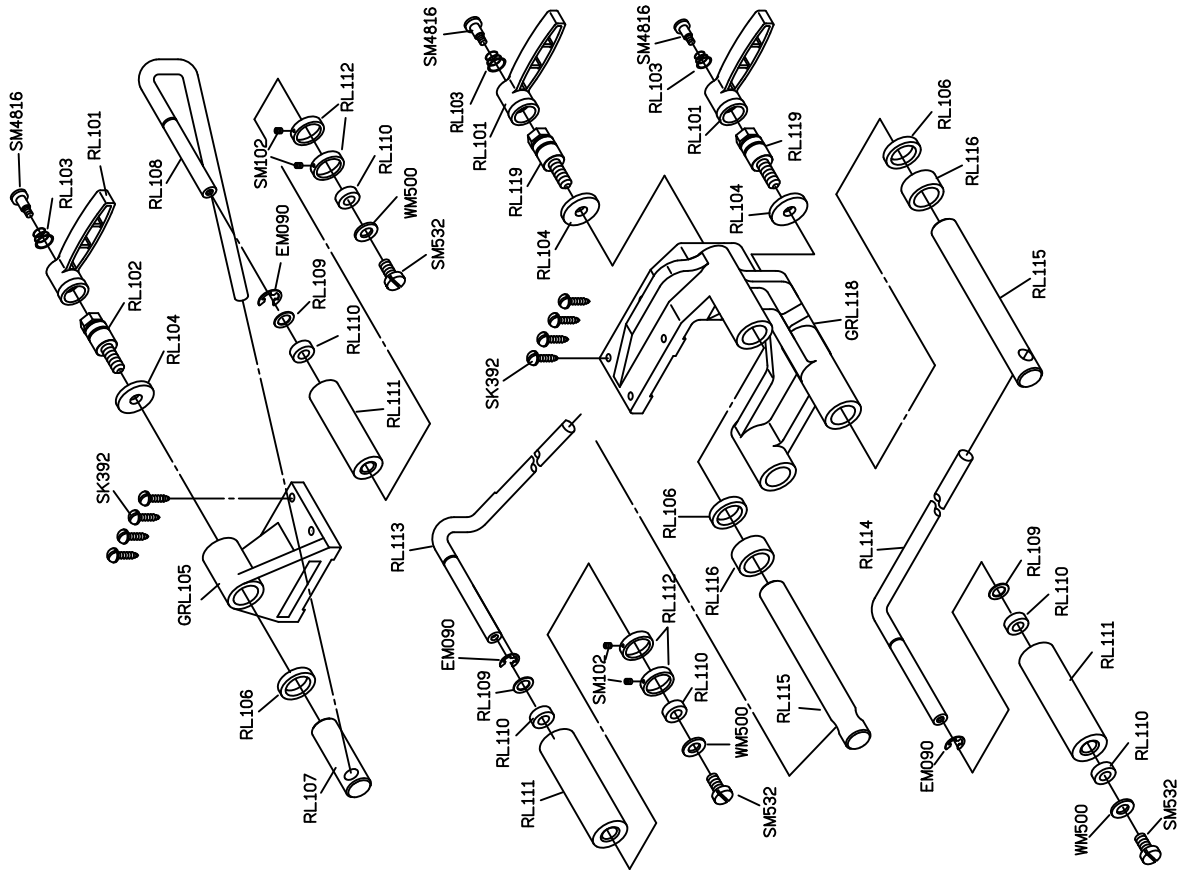
FOR C007H



FOR C007H/C858H

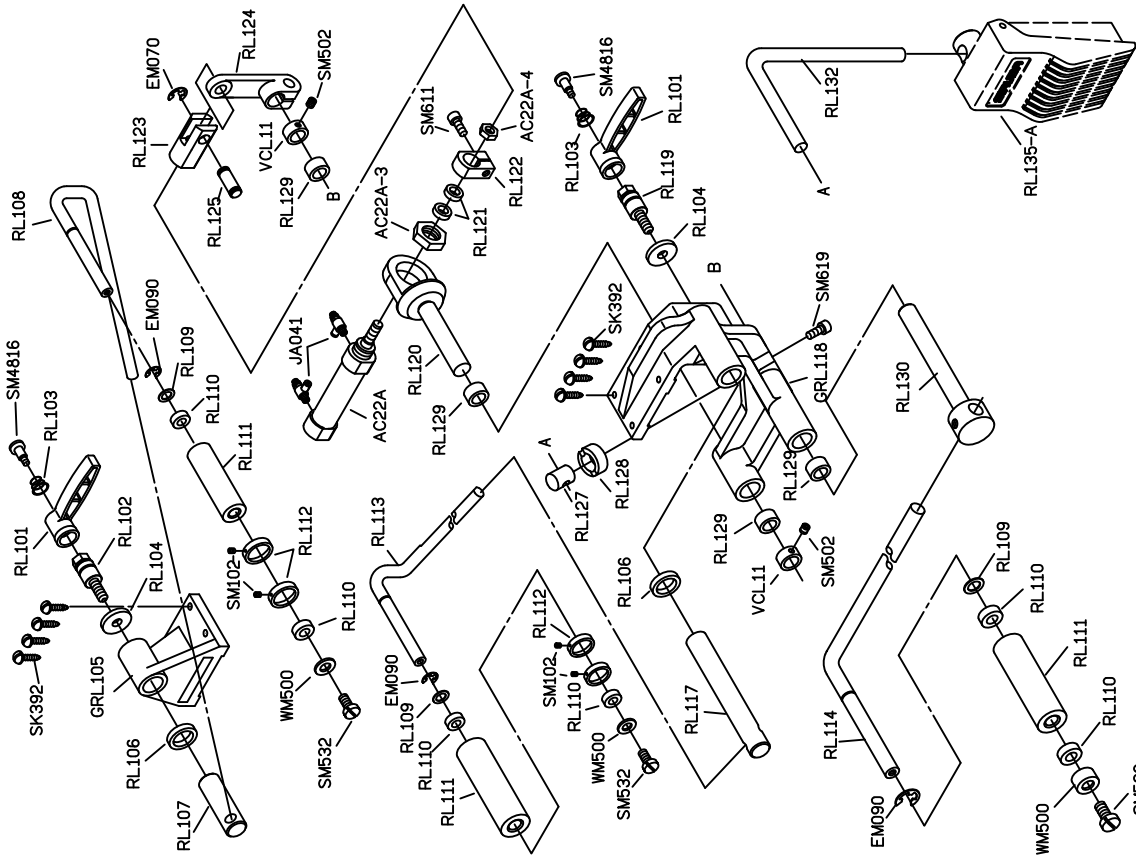
PARTS LIST FOR RLP GROUP

PARTS LIST FOR RLU GROUP

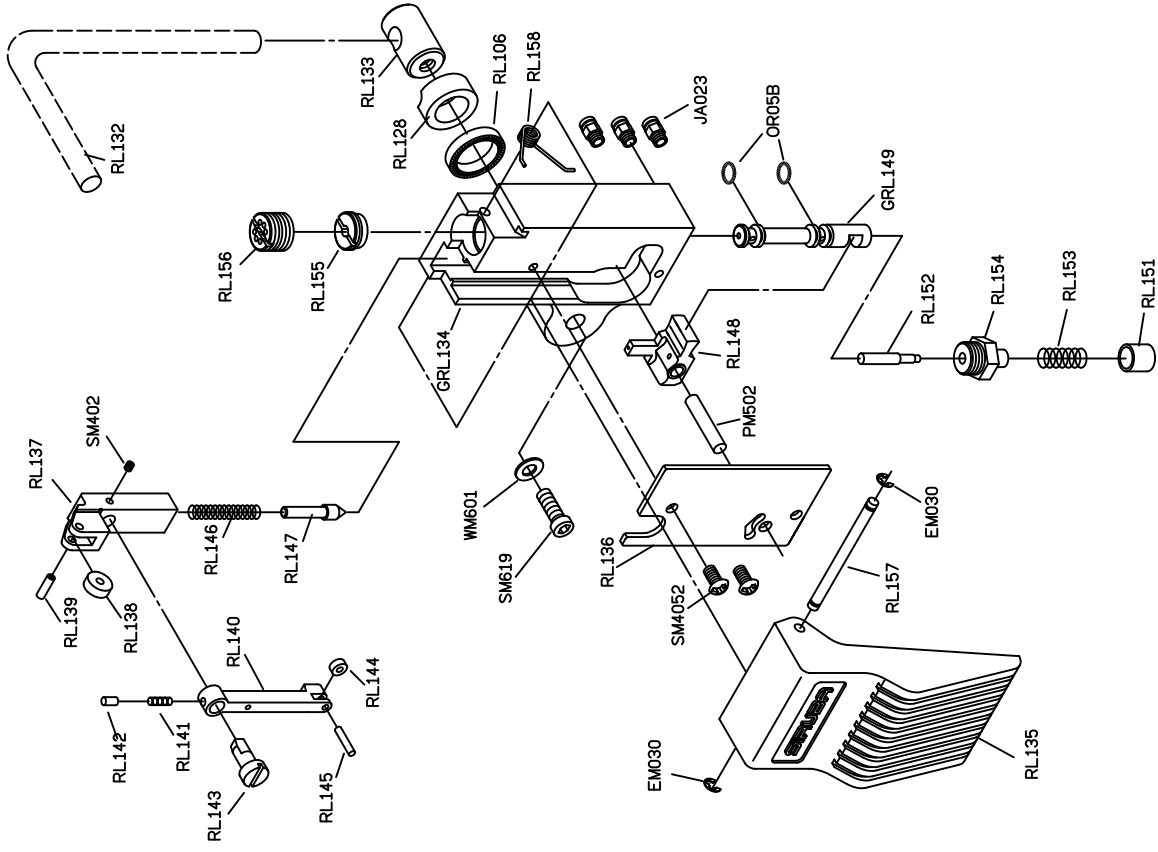


FOR C007H

PARTS LIST FOR RLV GROUP

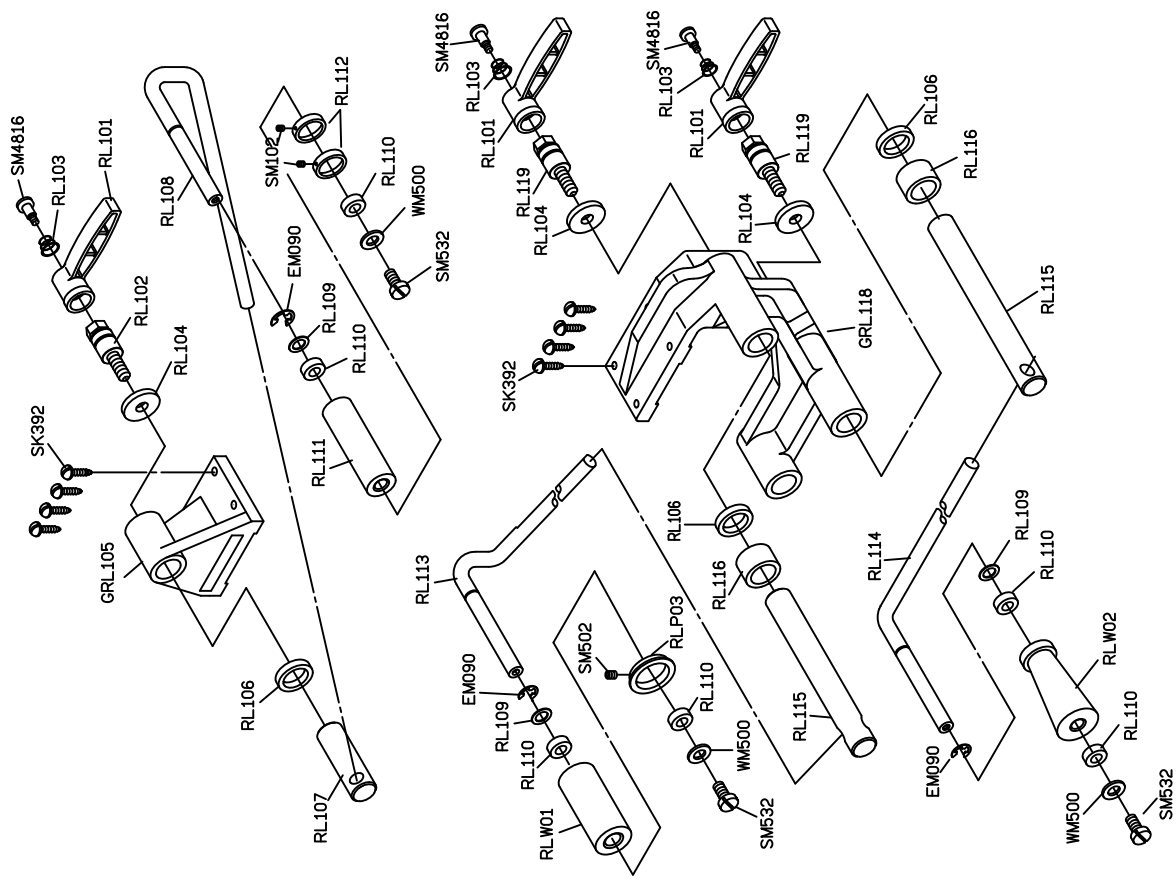


FOR C007H



FOR C007H

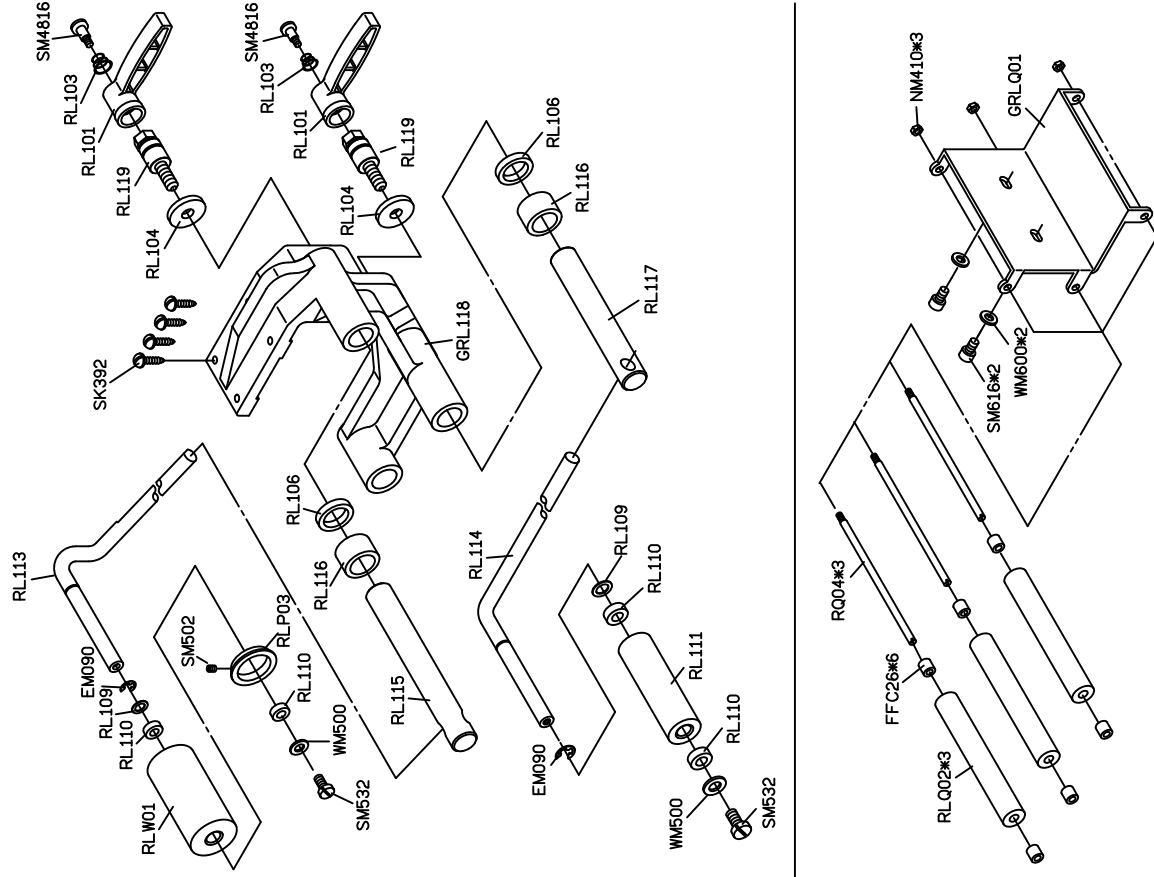
PARTS LIST FOR RLW GROUP



FOR C007H

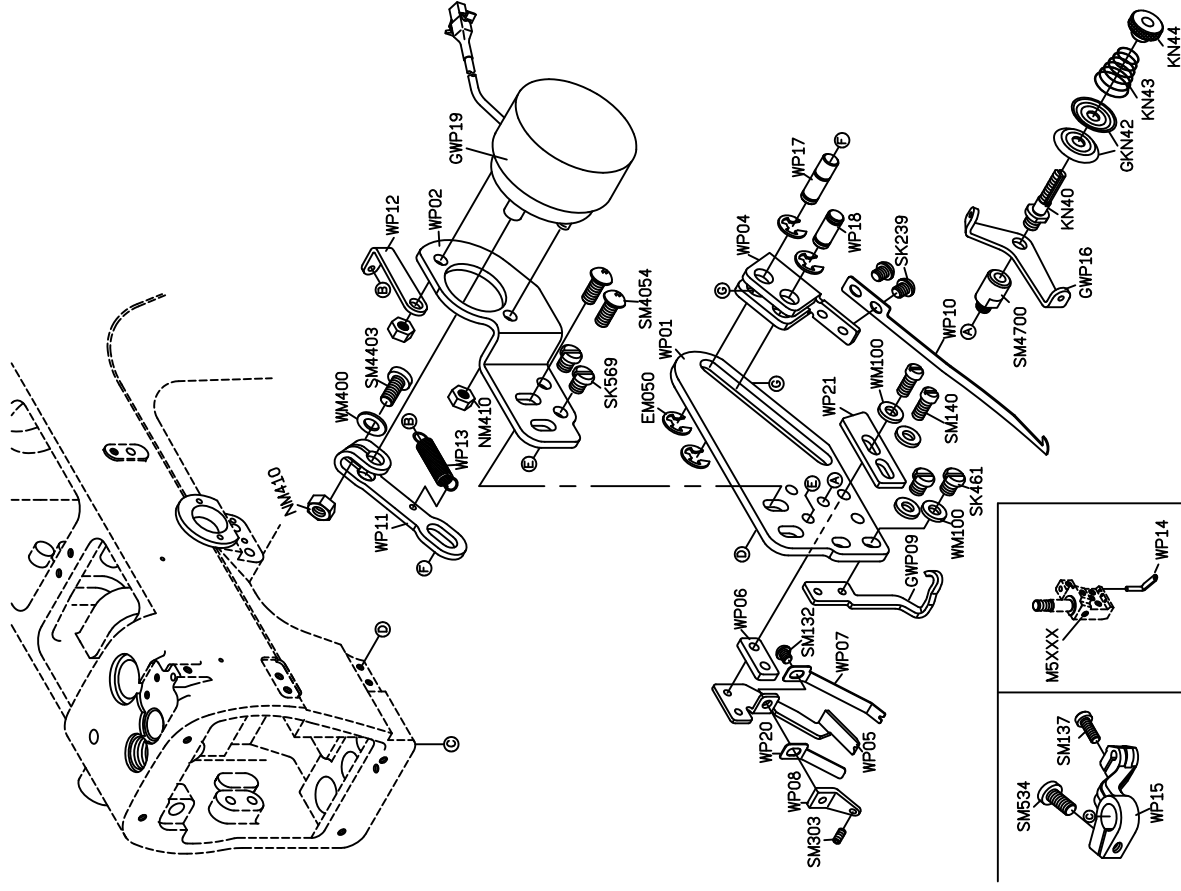
PARTS LIST FOR RLW GROUP

PARTS LIST FOR RLX GROUP

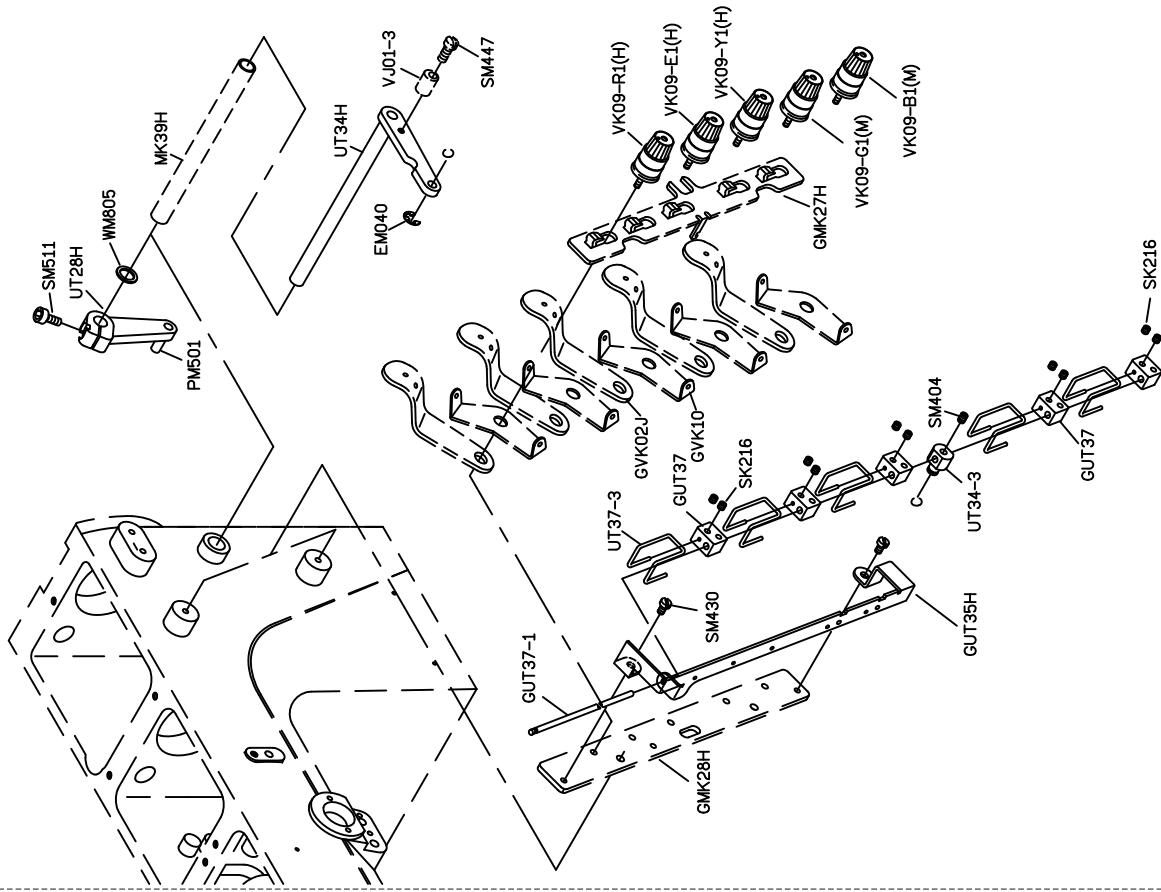


FOR C007H

PARTS LIST FOR WP GROUP



FOR F007J/F007JD/C007J/C007K/S007KD/S007KD
FOR F858J/F858JD/C858J/C858JD



FOR F007J/F007JD/C007J/C007JD/S007K/S007KD
 FOR F858J/F858JD/C858J/C858JD



C007J/C007JD C858J/C858JD ATTACHMENT

高林股份有限公司 KAULIN MFG. CO., LTD.